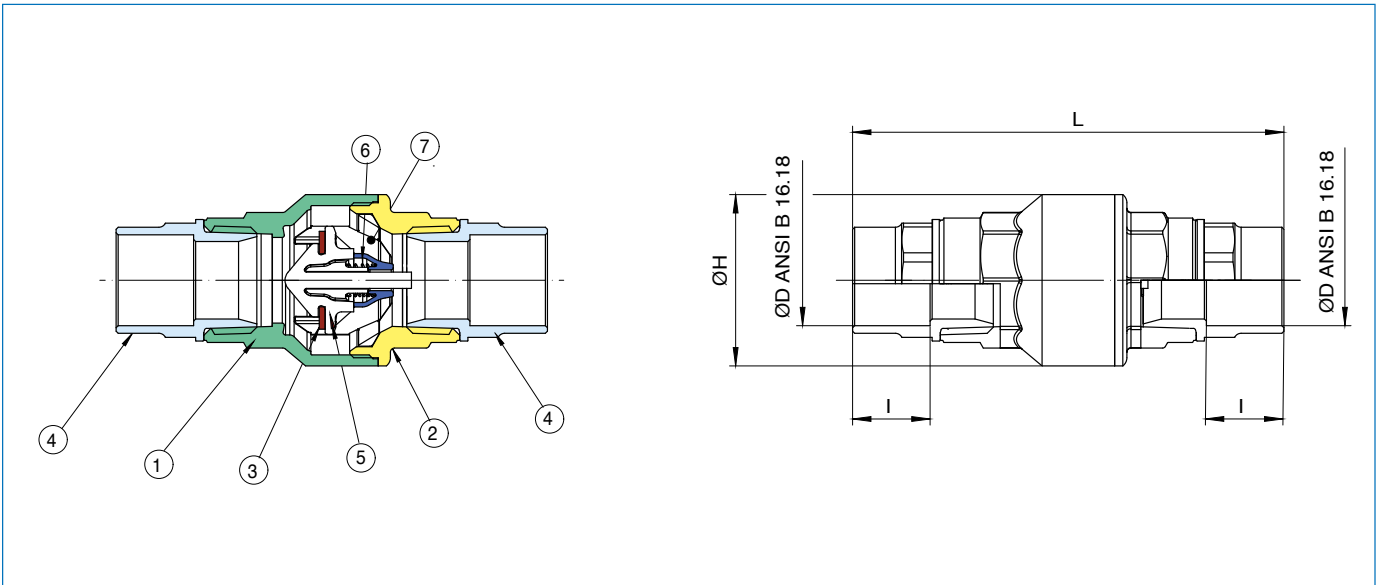




SERIES 100712 LF **NEW**
IN-LINE CHECK-PRESS VALVE



- High capacity, size 1/2" - 2" 400 WOG.
- Soft seat for bubble tight shutoff, spring loaded for fast seating action.
 - Low cracking pressure 1/2 psi.
 - Flow profile designed to minimize head loss.
 - Perfect sealing both at high and low pressure wide temperature range: +10°F to 210°F.
 - High technology materials to ensure the best resistance in any condition.
 - Patented disc guide to prevent side loading.
 - Connection: sweat/sweat.



N Pos	PART NAME	MATERIAL	N PCS
1	BODY	BRASS CW 510L	1
2	END CONNECTION	BRASS CW 510L	1
3	SEAT	NBR	1
4	CONNECTION	BRASS CW 510L	1
5	DISC	POLYETHERIMIDE	1
6	SPRING	STAINLES STEEL AISI 302	2
7	SUPPORT	POM	1

SIZE	ØD	l	L	ØH	CV	psi	Lbs
1/2"	0.63	0.50	3.43	1.36	9.36	400	0.45
3/4"	0.88	0.75	4.17	1.65	16.30	400	0.77
1"	1.13	0.91	4.88	1.93	24.16	400	116
1 1/4"	1.38	0.97	5.26	2.40	35.84	400	1.81
1 1/2"	1.63	1.10	5.79	2.87	51.90	400	2.53
2"	2.13	1.34	6.56	3.44	82.19	400	3.50

* lead free refers to the wetted surface of pipe, fittings and fixtures in potable water systems that have a weighted average lead content= 0,25%.
 Source: California health & Safety code (116875). Vermont Act 193.

