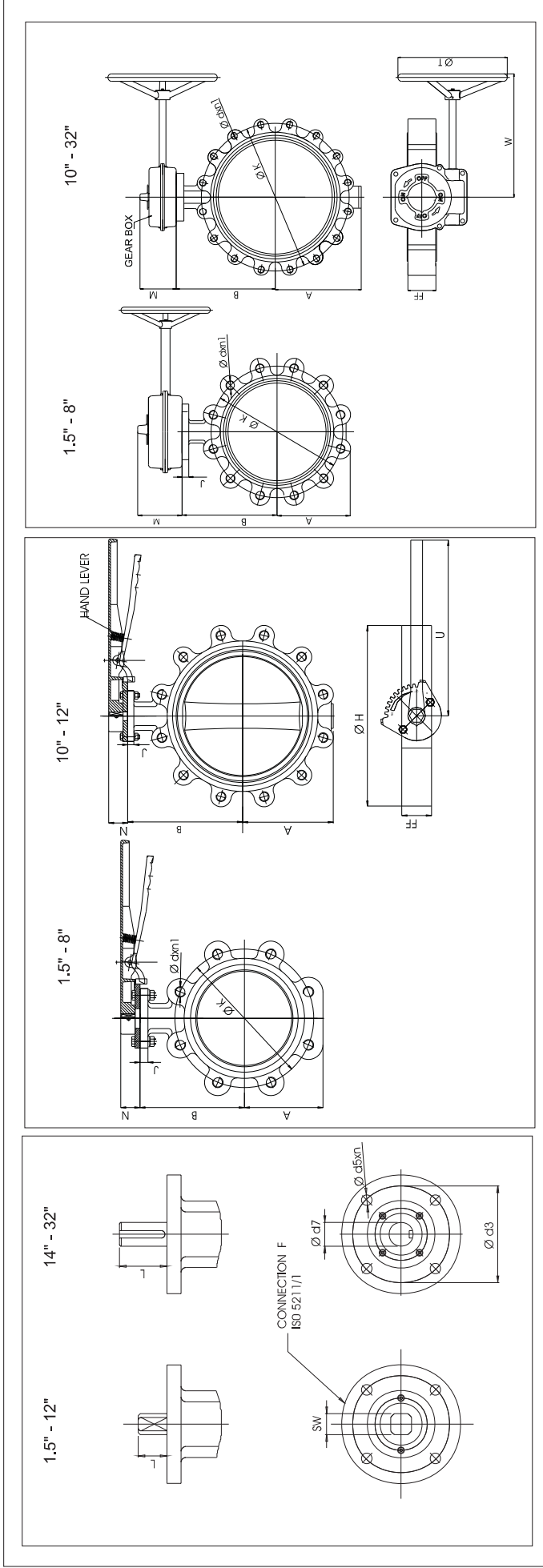




# LUG BUTTERFLY VALVE DIMENSIONAL DRAWING

## Series 140, 340, 341



Size	125 PSI										250 PSI											
	A	B	FF	Ø H	J	M	N	U	W	Ø T	F	Both hole (mm) / # of holes	SW Ø d7 (mm)	L	Ø d3	Class 150 hole size (mm) / # of bolts	FREE SHAFT Weight (lb)	HAND LEVER Type	Weight (lb)	Type	Weight (kg)	
1.50	2.4	96	1.57	4.64	.51	2	1.5	8.5	6.25	8	05	7x4	9	.78	1.96	3.88	1/2" / 4	8	92-150	1.5	AST-20	6.5
2	2.63	108	1.69	5.11	.51	2	1.5	8.5	6.25	8	05	7x4	9	.78	1.96	4.75	5/8" / 4	9	92-150	1.5	AST-20	6.5
2.5	2.95	127	1.81	6.06	.51	2	1.5	8.5	6.25	8	07	9x4	11	.78	2.75	5.5	5/8" / 4	11	92-150	1.75	AST-20	6.5
3	3.78	132	1.81	7.04	.55	2	1.5	10	6.25	8	07	9x4	14	.78	2.75	6	5/8" / 4	13	92-200	1.75	AST-20	6.5
4	4.37	155	2.04	8.58	.55	2	1.5	10	6.25	8	07	9x4	14	.78	2.75	7.5	5/8" / 8	20	92-200	1.75	AST-20	6.5
5	4.84	158	2.20	9.21	.55	2	1.5	10	6.25	8	07	9x4	14	.78	2.75	8.5	3/4" / 8	24	92-200	2	AST-20	6.5
6	5.27	185	2.20	10.55	.55	2	1.5	14	6.25	8	07	9x4	17	.86	2.75	9.5	3/4" / 8	26	92-300	2	AST-20	6.5
8	6.45	213	2.36	12.48	.60	2	1.5	14	6.25	8	07	9x4	17	.86	2.75	11.75	3/4" / 8	44	92-300	6	AST-20	6.5
10	7.95	245	2.67	15.47	.60	3	1.85	16	9.37	10	10	11x4	22	1.25	4.01	14.25	7/8" / 12	66	92-400	6	AST-30	18
12	9.40	282	3.07	17.56	.60	3	1.85	16	9.37	10	10	11x4	27	1.25	4.01	17	7/8" / 12	88	92-400	27	AST-30	18
14	11.81	318	3.62	20.20	1.1	4	-	-	12.5	16	14	17.5x4	36	2.95	5.51	18.75	1" / 16	145	-	-	AST-40	27
16	12.83	362	4.01	22.44	1.1	4	-	-	12.5	16	14	17.5x4	36	2.95	5.51	21.25	1" / 16	178	-	-	AST-40	40
18	14.33	410	4.49	24.88	1.1	4	-	-	12.5	16	16	22x4	45	3.62	6.50	22.75	1 1/8" / 20	245	-	-	AST-60	72
20	16.06	435	5	26.25	1.1	4	-	-	12.5	22	16	22x4	45	3.62	6.05	25	1 1/8" / 20	326	-	-	AST-60	100
24	18.97	519	6.06	30.23	1.1	4	-	-	12.5	24	16	22x4	60	3.62	6.50	29.50	1 1/4" / 20	496	-	-	AST-80	155
28	21.37	548	6.49	35.43	1.2	5.5	-	-	16	28	25	18x8	68	4.64	10	34	1 1/4" / 24	712	-	-	AB1950NHR	100
32	23.11	587	7.08	40	1.2	5.5	-	-	16	32	25	18x8	80	4.64	10	38	1 1/2" / 24	908	-	-	AB6800NLT/SP4	155

Subject to change without notice.  
Please contact us for other sizes.

REV : P

December 2019