



JOB NAME:	CONTRACTOR:
JOB LOCATION:	APPROVAL:
ENGINEER:	CONTRACTOR P.O.:
APPROVAL:	REPRESENTATIVE:

8E710085-0* - 8E710064-0* - 8E710065-0*
FNPT THREADED SOCKET WELD BUTT WELD

710085 BRACKET MOUNTED, 3-PC, 2-WAY CARBON STEEL, FULL PORT BALL VALVE FOR STEAM IN NPT, SOCKET WELD OR BUTT WELD W/VALBIA ELECTRIC ACTUATOR
SIZES 1/4" TO 4"

*001 12V AC/DC	*002 24V AC/DC	*003 100-240V AC
01 BATTERY BACKUP	*02* POSITIONER	*04* BATTERY BACKUP W POSITIONER

SPECIFICATIONS

The Bonomi 8E710085/8E710064/8E710065 series series feature 25% carbon filled PTFE seats, a stainless steel ball with relief hole for thermal cycling protection, and pressure equalizing seats. This valve can withstand up to a 250 psi working steam pressure. The valve also meets NACE MR 0175 and MR0103. The valve is assembled with a bracket to help dissipate the heat from the actuator.

The actuator is a Valbia VB series, incorporating standard dual voltages, 2 extra limit switches, a heater & thermostat, torque limiter, ISO dual patterns, square drive, position indicator, PG11 connections, and a 75% duty cycle. Optional equipment includes positioning boards, and battery back-up fail safe models. A bracket connects the valve to the actuator to prevent the expansion of high heat to the actuator.

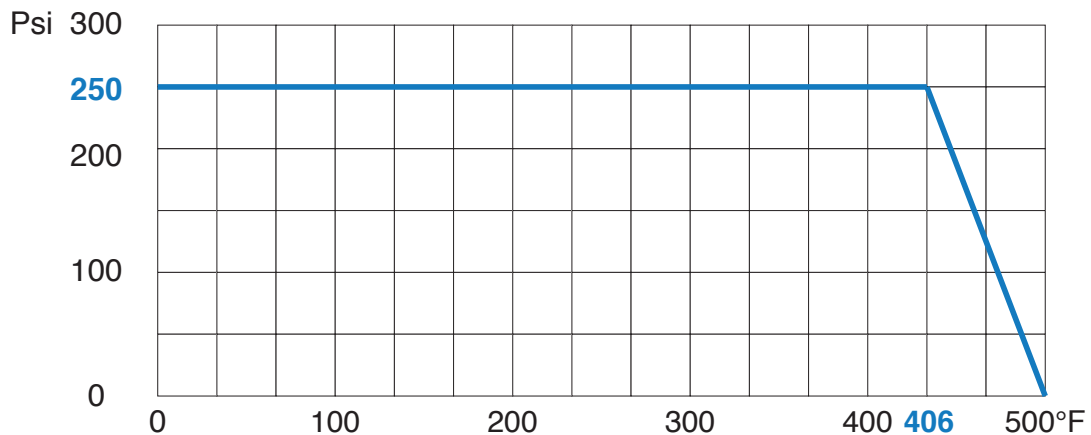
ACTUATOR FEATURES

- NEMA 4, 4X Housing - CSA, UL approved
- 12V/24V AC/DC and 100-240V AC Models Available
- ISO 5211 dual patterns
- VB015 -12/24V AC - 50% Duty Cycle
- VB030-VB060 - 12/24V DC and 100-240V AC - 75% Duty Cycle
- High-Strength, Impact Resistant IP67 Technopolymer Housing
- Temperature Range -4°F to 131°F
- PG11 Electrical Connection/Optional 1/2" conduit connection

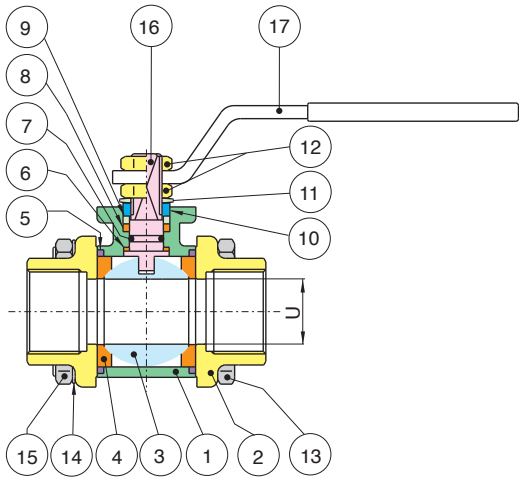
VALVE FEATURES

- 3-piece CF8M body
- Full port, sizes 1/4" to 4"
- Blow out proof stem, adjustable stem packing.
- Thermal relief hole in the stem slot
- ISO 5211 mounting pad with double "D" stem
- 100% electronically tested in the open and closed position at 80 psi.
- TUV T.A. Luft approved.
- Steam pressure to 250 psi.
- Temperature range: -4° F to 406° F.
- 25% carbon filled P.T.F.E ball seats.

PRESSURE - TEMPERATURE CHART FOR SERIES 710085/710064/710065



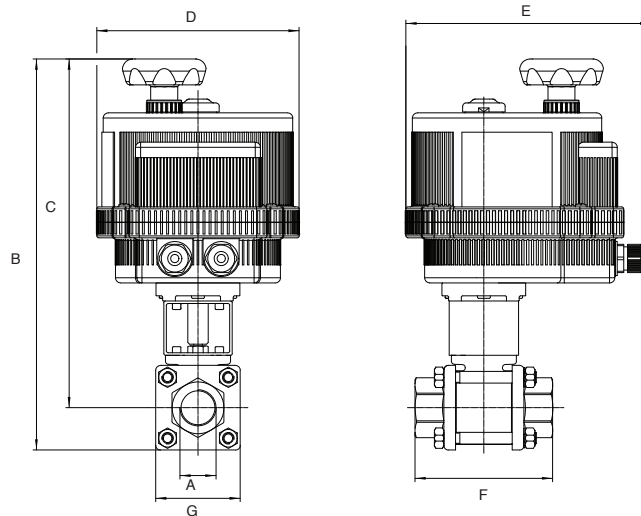
BILL OF MATERIALS FOR 710085/710064/710065



N POS	PART NAME	MATERIAL	N PCS
1	BODY	ASTM A105-WCB	1
2	END CAP	ASTM A105-WCB	2
3	BALL	AISI 304-CF8M	1
4	BALL SEAT	R.P.T.F.E.	2
5	SEAL	VITON	2
6	STEM SEAL	R.P.T.F.E.	1
7	O-RING	FKM (Viton)	1
8	STEM SEAL	R.P.T.F.E.	1
9	PACKING GLAND	STEEL	1

N POS	PART NAME	MATERIAL	N PCS
10	END STOP	AISI 430 (1/4" - 2")	2
		STEEL (2-1/2" - 4")	1
11	SPRING WASHER	STEEL (2-1/2" - 4")	2
12	NUT	STEEL	2
13	BOLT	STEEL (1/4" - 2")	4
		STEEL (2-1/2" - 4")	6
14	WASHER	STEEL (1/4" - 2")	4
		STEEL (2-1/2" - 4")	6
15	NUT	STEEL (1/4" - 2")	4
		STEEL (2-1/2" - 4")	6
16	STEM	AISI 304	1
17	HANDLE	STEEL	1

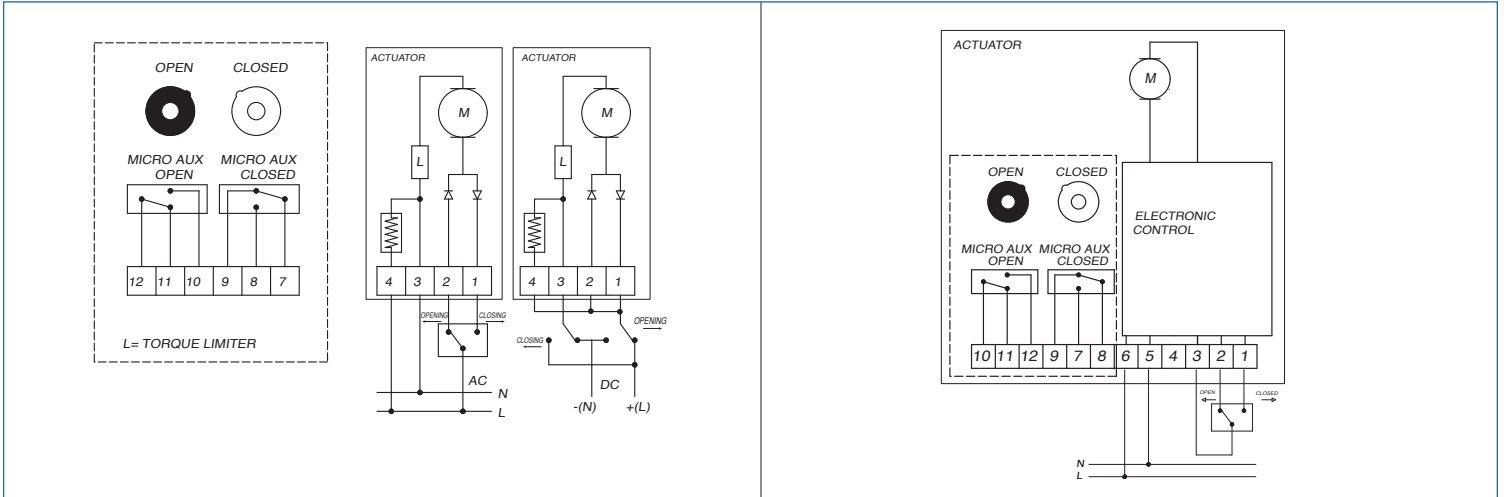
DIMENSIONS



Size	A	B	C	D	E	F	G	ACT.
1/4"	.250	8.07	7.40	4.84	6.46	2.24	1.30	VB015
3/8"	.375	8.07	7.40	4.84	6.46	2.24	1.30	VB015
1/2"	.500	8.47	7.72	4.84	6.46	2.56	1.50	VB015
3/4"	.750	9.92	9.02	4.84	6.46	2.99	1.85	VB015
1"	1.00	12.1	10.9	6.18	7.52	3.62	2.28	VB030
1-1/4"	1.25	12.4	11.1	6.18	7.52	4.21	2.64	VB030
1-1/2"	1.50	14.4	12.9	7.28	8.47	4.57	3.00	VB060
2"	2.00	15.0	13.2	7.28	8.47	5.35	3.54	VB060
2-1/2"	2.50	17.0	14.4	8.31	9.33	6.06	5.28	VB110
3"	3.00	18.0	14.8	8.31	9.33	7.09	6.39	VB110
4"	4.00	20.0	16.3	8.31	9.33	8.54	7.48	VB190

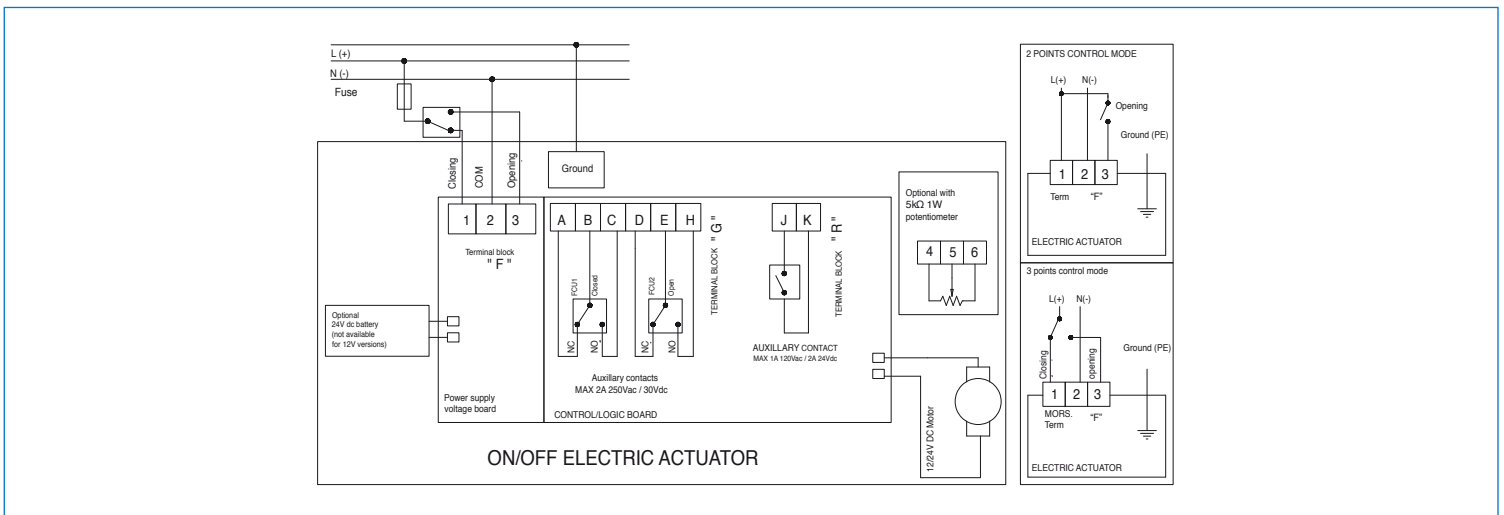
ON/OFF WIRING DIAGRAM - VB015

12V AC/DC, 24V AC/DC & 100-240VAC



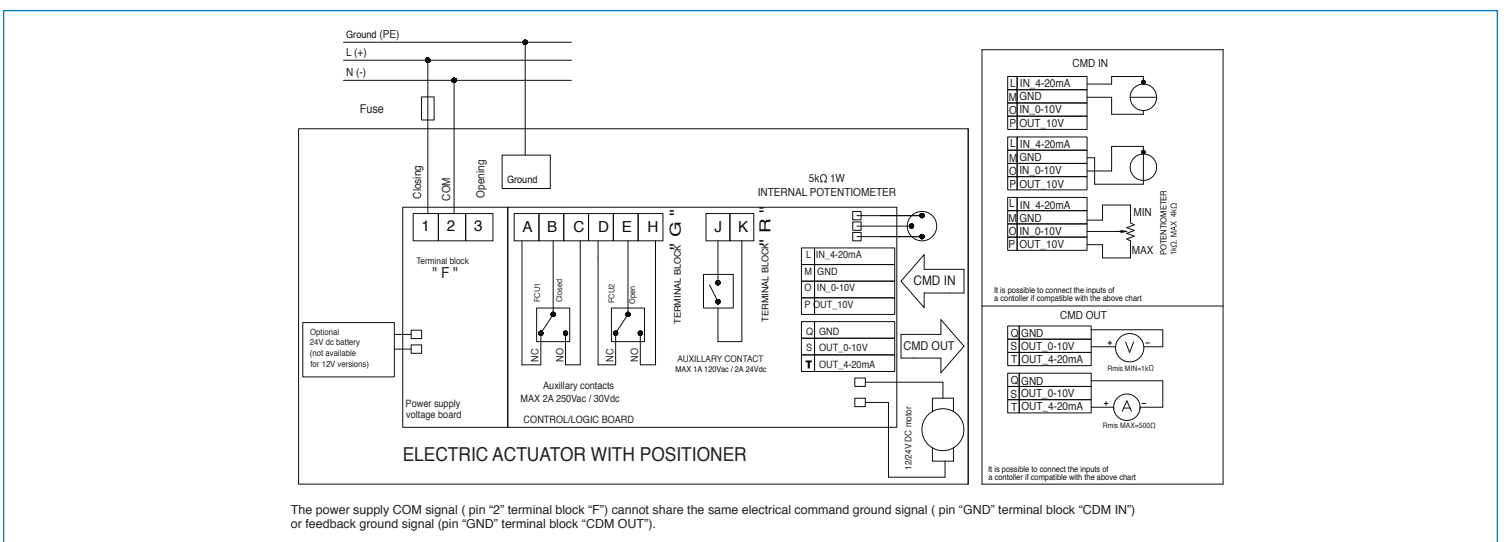
ON/OFF WIRING DIAGRAM - VB030 -VB190

12V AC/DC, 24V AC/DC & 100-240VAC



POSITIONER WIRING DIAGRAM - VB030 -VB190

12V AC/DC, 24V AC/DC & 100-240VAC



The power supply COM signal (pin "2" terminal block "F") cannot share the same electrical command ground signal (pin "GND" terminal block "CMD IN") or feedback ground signal (pin "GND" terminal block "CMD OUT").