



JOB NAME:	CONTRACTOR:
JOB LOCATION:	APPROVAL:
ENGINEER:	CONTRACTOR P.O.:
APPROVAL:	REPRESENTATIVE:

8P 8 LF
250N LF DIRECT MOUNT,
2-WAY BRASS, FULL PORT BALL VALVE
W/ **DOUBLE ACTING** ACTUATOR

8P 82LF
253N LF DIRECT MOUNT,
2-WAY BRASS, FULL PORT BALL VALVE
W/ **SPRING RETURN** ACTUATOR

8P 135LF
253N LF DIRECT MOUNT,
2-WAY BRASS, FULL PORT BALL VALVE
W/ **DOUBLE ACTING** ACTUATOR

8P 136LF
253N LF DIRECT MOUNT,
2-WAY BRASS, FULL PORT BALL VALVE
W/ **SPRING RETURN** ACTUATOR

SIZES 1/4" TO 4"

SIZES 1/4" TO 4"

SPECIFICATIONS

Bonomi North America series 8P0080LF/8P0082LF/8P0135LF/8P0136LF lead-free brass automated ball valve package features a rugged NEMA 4 metal housing and a full port 600 psi lead free brass ball valve.

The Valbia pneumatic actuator comes with a hard-anodized aluminum body, and powder coated end caps. In addition, all Valbia pneumatic actuators are standardly furnished with elevated temperature seals to 302F. The patented side loaded limit stops never enter the piston chamber eliminating extra possible leak paths.

ACTUATOR FEATURES

- Hard anodized extruded aluminum body
- Concentric spring sets
- Die cast aluminum end caps
- Solid steel barstock pinion (not casting)
- 0°-90° rotation adjustment cam
- 0°-90° rotation adjustment bolts
- POM piston guides
- Minimum air pressure rating: 80 psi
- Maximum air pressure rating: 116 psi
- Working temperature: -4°F - 302°F
- No lubrication maintenance required for the entire actuator lifetime
- 100% factory tested

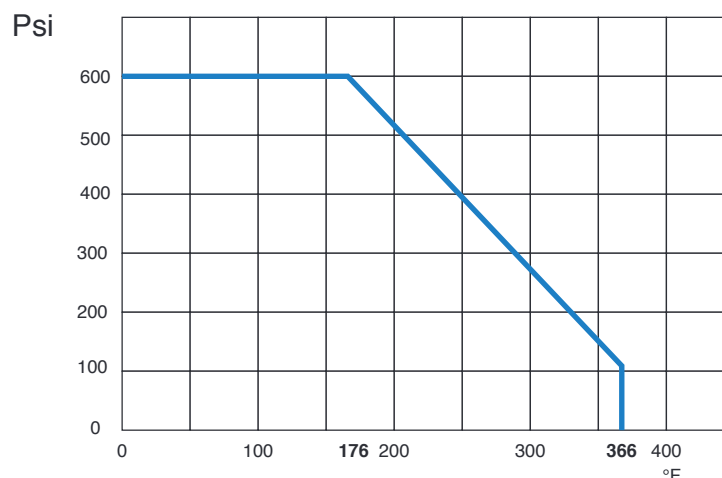
VALVE FEATURES

- Lead-Free Brass
- Full Port, Sizes 1/4" to 4"
- ISO 5211 pad and square stem
- 253N LF - Stainless steel ball and stem
- Pressure rating to 600 WOG
- Temperature range -4°F to 366°F
- Low torque design with back up O-ring seats
- Double O-ring stem seal design for extended cycle life
- 100% electronically tested in the open and closed position @ 80 Psi
- NSF 61/372

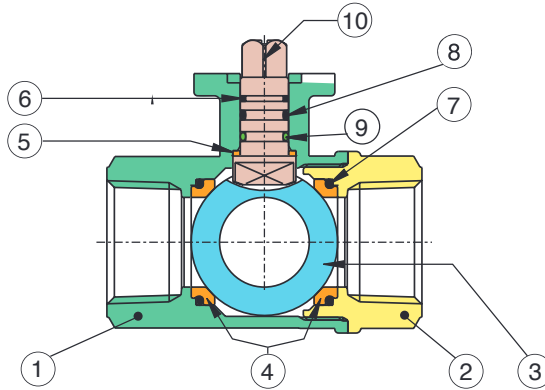


LEAD FREE
NSF/ANSI
61/372

PRESSURE - TEMPERATURE CHART FOR SERIES 250N LF & 253N LF

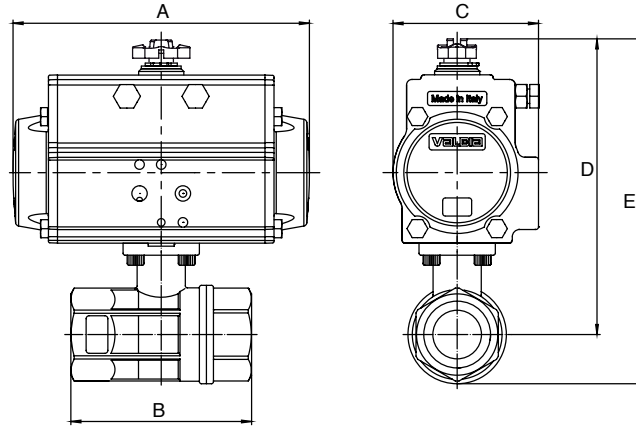


BILL OF MATERIALS FOR 250N LF & 253N LF



N POS	PART NAME	MATERIAL	N PCS
1	BODY	LF BRASS C28500	1
2	END CONNECTION	LF BRASS C28500	1
3	BALL	LF BRASS C28500 AISI 1.4308	1
4	BALL SEAT	P.T.F.E.	2
5	THRUST WASHER	P.T.F.E.	1
6	STEM SEAL	P.T.F.E.	1
7	O-RING	FKM (Viton®)	2
8	O-RING	EPDM	1
9	O-RING	FKM (Viton®)	1
10	STEM	LF BRASS C28500 AISI 304	1

DIMENSIONS



8P0080LF
8P0135LF

250NLF W/ **DOUBLE ACTING** ACTUATOR
253NLF W/ **DOUBLE ACTING** ACTUATOR

8P0082LF
8P0136LF

250NLF W/ **SPRING RETURN** ACTUATOR
253NLF W/ **SPRING RETURN** ACTUATOR

Size	A	B	C	D	E	ACT. DA
1/4"	4.33	2.64	1.77	3.86	4.53	32
3/8"	4.33	2.64	1.77	3.86	4.53	32
1/2"	4.33	2.64	1.77	3.86	4.53	32
3/4"	4.33	2.99	1.77	3.94	4.72	32
1"	4.33	3.35	1.77	4.37	5.31	32
1-1/4"	4.33	3.66	1.77	4.49	5.67	32
1-1/2"	5.51	4.13	2.80	6.54	7.99	52
2"	5.51	4.80	2.80	6.89	8.70	52
2-1/2"	6.46	6.10	3.14	7.95	10.23	63
3"	6.46	6.89	3.17	8.31	10.98	63
4"	9.47	8.03	4.17	10.31	13.58	85

Size	A	B	C	D	E	ACT. SR
1/4"	5.55	2.64	2.80	5.28	5.94	52
3/8"	5.55	2.64	2.80	5.28	5.94	52
1/2"	5.55	2.64	2.80	5.28	5.94	52
3/4"	5.55	2.99	2.80	5.35	6.14	52
1"	5.55	3.35	2.80	5.79	6.77	52
1-1/4"	5.55	3.66	2.80	5.94	7.09	52
1-1/2"	6.46	4.13	3.17	6.97	8.43	63
2"	6.46	4.80	3.17	7.32	9.13	63
2-1/2"	9.47	6.10	4.17	9.21	11.46	85
3"	9.47	6.89	4.17	9.57	12.24	85
4"	10.83	8.03	4.84	10.83	14.09	100