



| | |
|---------------|------------------|
| JOB NAME: | CONTRACTOR: |
| JOB LOCATION: | APPROVAL: |
| ENGINEER: | CONTRACTOR P.O.: |
| APPROVAL: | REPRESENTATIVE: |

8P0133SS

700076 DIRECT MOUNT, 2-WAY STAINLESS STEEL, FULL PORT BALL VALVE W/ STAINLESS STEEL DOUBLE ACTING ACTUATOR

SIZES 1/4" TO 3"

8P0134SS

700076 DIRECT MOUNT, 2-WAY STAINLESS STEEL, FULL PORT BALL VALVE W/ STAINLESS STEEL SPRING RETURN ACTUATOR

SIZES 1/4" TO 3"

SPECIFICATIONS

The Bonomi 8P0133SS/8P0134SS series pneumatic actuated ball valve offers the smallest total envelope in our industry. This is due to the low torque design of the 700076 stainless steel full port ball valve with O-ring backed energized seats. Further the 700076 incorporates dual Viton O-ring stem seals for leak free and long-lasting performance.

The Valbia pneumatic actuator comes with a stainless steel body. In addition, all Valbia pneumatic actuators are standardly furnished with elevated temperature seals to 302°F. The patented side loaded limit stops never enter the piston chamber eliminating extra possible leak paths.

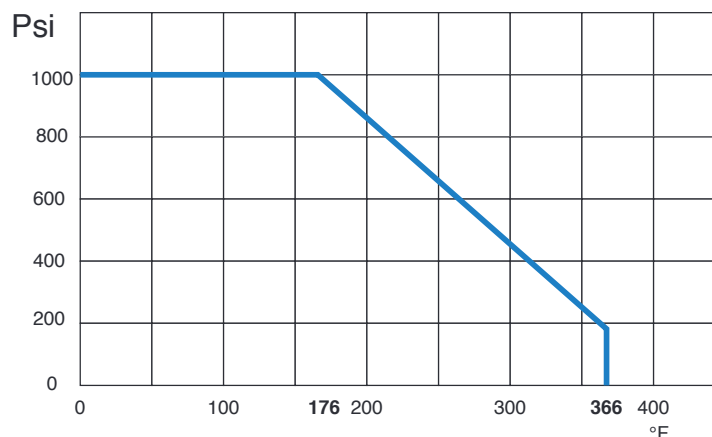
ACTUATOR FEATURES

- Stainless steel body
- Concentric spring sets
- Die cast aluminum end caps
- Solid steel barstock pinion (not casting)
- 0°-90° rotation adjustment cam
- 0°-90° rotation adjustment bolts
- POM piston guides
- Minimum air pressure rating: 80 psi
- Maximum air pressure rating: 116 psi
- Working temperature: -4°F - 302°F
- No lubrication maintenance required for the entire actuator lifetime
- 100% factory tested

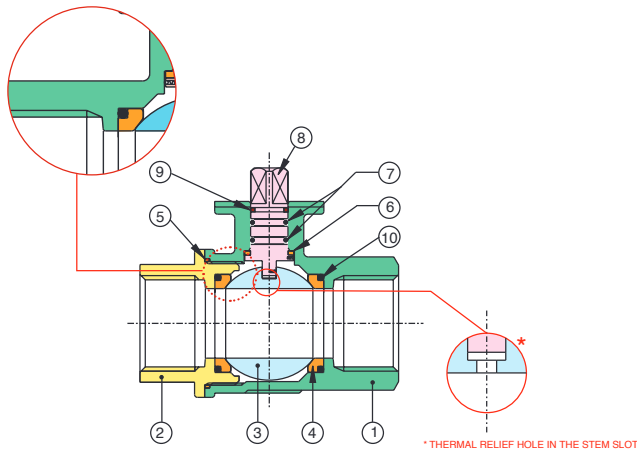
VALVE FEATURES

- CF8M Stainless Steel
- Full Port, Sizes 1/4" to 3"
- ISO 5211 pad
- Pressure rating to 1000 psi, 150 psi steam
- Temperature -4°F to 366°F
- Blow out proof stem
- P.T.F.E. seats with O-ring backing for low operating torque
- P.T.F.E. seals and Double O-ring stem seal design for extended cycle life
- 100% electronically tested in the open and closed position @80 Psi
- Thermal Relief Protection

PRESSURE TEMPERATURE CHART FOR 700076

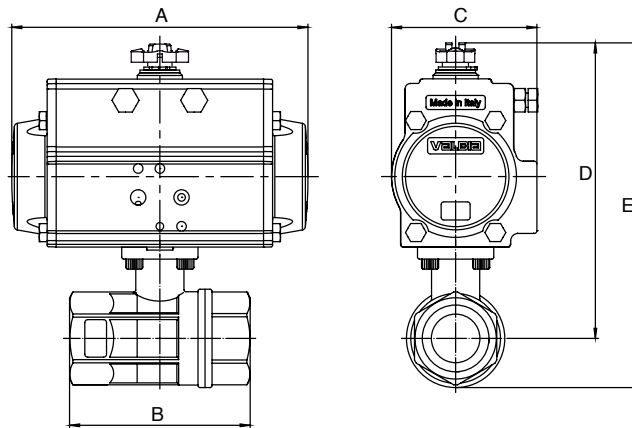


BILL OF MATERIALS FOR 700076



| N POS | PART NAME | MATERIAL | N PCS |
|-------|----------------|-----------------|-------|
| 1 | BODY | CF8M | 1 |
| 2 | END CONNECTION | CF8M | 1 |
| 3 | BALL | AISI 316 - CF8M | 1 |
| 4 | BALL SEAT | P.T.F.E. | 2 |
| 5 | SEAL | P.T.F.E. | 1 |
| 6 | STEM SEAL | P.T.F.E. | 1 |
| 7 | O-RING | FKM (Viton®) | 2 |
| 8 | STEM | AISI 316 | 1 |
| 9 | STEM SEAL | P.T.F.E. | 1 |
| 10 | O-RING | FKM (Viton®) | 2 |

DIMENSIONS



8P0133SS

WITH DOUBLE ACTING ACTUATOR

| SIZE | A | B | C | D | E | ACT. |
|--------|------|------|------|------|-------|---------|
| 1/4" | 4.33 | 2.64 | 1.77 | 4.08 | 4.54 | SSDA32V |
| 3/8" | 4.33 | 2.64 | 1.77 | 4.08 | 4.54 | SSDA32V |
| 1/2" | 4.33 | 2.64 | 1.77 | 3.84 | 4.22 | SSDA32V |
| 3/4" | 4.33 | 2.99 | 1.77 | 3.92 | 4.33 | SSDA32V |
| 1" | 4.33 | 3.35 | 1.77 | 4.31 | 4.84 | SSDA32V |
| 1-1/4" | 4.33 | 3.66 | 1.77 | 4.45 | 5.02 | SSDA32V |
| 1-1/2" | 5.55 | 4.13 | 2.80 | 6.48 | 7.22 | SSDA52V |
| 2" | 5.55 | 4.80 | 2.80 | 6.84 | 7.69 | SSDA52V |
| 2-1/2" | 6.46 | 6.10 | 3.17 | 8.73 | 10.01 | SSDA63V |
| 3" | 6.46 | 6.89 | 3.17 | 9.08 | 10.47 | SSDA63V |

8P0134SS

WITH SPRING RETURN ACTUATOR

| SIZE | A | B | C | D | E | ACT. |
|--------|------|------|------|-------|-------|---------|
| 1/4" | 5.55 | 2.64 | 2.80 | 5.52 | 5.98 | SSSR52V |
| 3/8" | 5.55 | 2.64 | 2.80 | 5.52 | 5.98 | SSSR52V |
| 1/2" | 5.55 | 2.64 | 2.80 | 5.28 | 5.66 | SSSR52V |
| 3/4" | 5.55 | 2.99 | 2.80 | 5.36 | 5.77 | SSSR52V |
| 1" | 5.55 | 3.35 | 2.80 | 5.75 | 6.28 | SSSR52V |
| 1-1/4" | 5.55 | 3.66 | 2.80 | 5.89 | 6.46 | SSSR52V |
| 1-1/2" | 6.46 | 4.13 | 3.17 | 6.93 | 7.67 | SSSR63V |
| 2" | 6.46 | 4.80 | 3.17 | 7.29 | 8.14 | SSSR63V |
| 2-1/2" | 9.47 | 6.10 | 4.17 | 9.99 | 11.27 | SSSR85V |
| 3" | 9.47 | 6.89 | 4.17 | 10.34 | 11.73 | SSSR85V |