

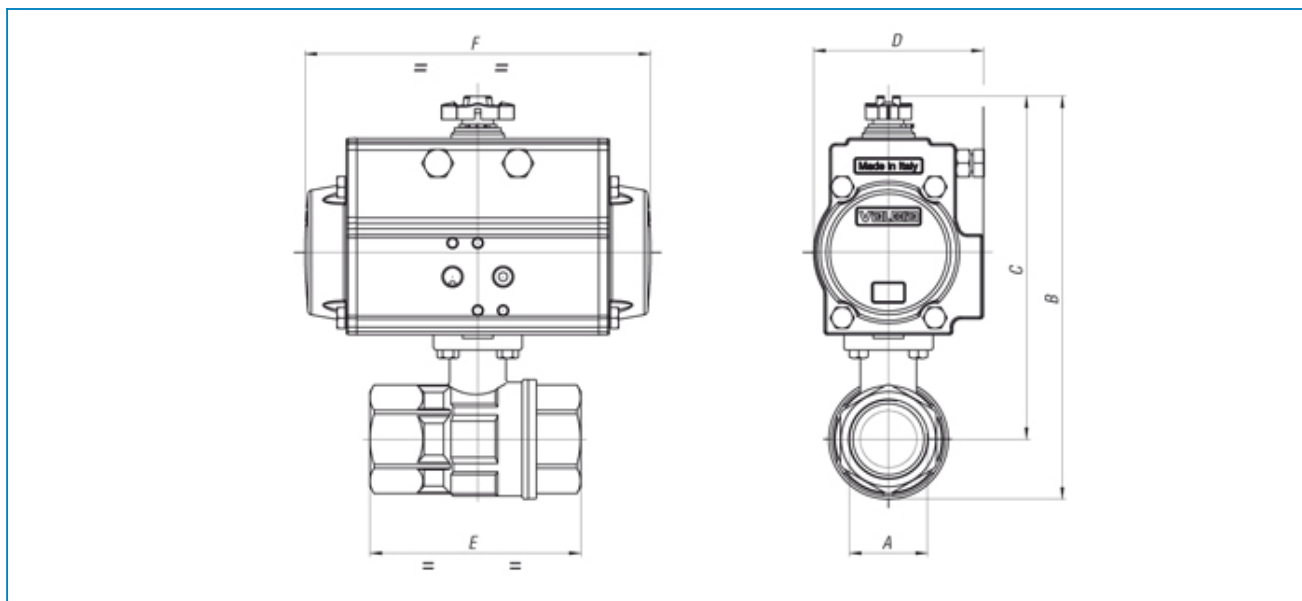


Serie **PNEUMATIC ACTUATORS**

Articolo **8P0133 - 8P0134**

- DA - SR actuator with 2 way stainless steel ball valve direct mount (Valpres 700076).

- OPERATING CONDITIONS: fluid H₂O - T 68°F - Actuator P 90 ÷ 100 PSI



Art. 8P0133

VALVE WITH DOUBLE ACTING ACTUATOR

| | | | | | | |
|--------|-------|-------|-------|--------|--------|-------|
| PSI | 1000 | 1000 | 1000 | 1000 | 1000 | 1000 |
| DN - A | 1/2" | 3/4" | 1" | 1 1/4" | 1 1/2" | 2" |
| B | 4.53 | 4.76 | 5.35 | 5.75 | 7.99 | 8.78 |
| C | 3.86 | 3.94 | 4.33 | 4.45 | 6.50 | 6.85 |
| D | 1.77 | 1.77 | 1.77 | 1.77 | 2.80 | 2.80 |
| E | 2.64 | 3.07 | 3.54 | 3.94 | 4.41 | 5.31 |
| F | 4.33 | 4.33 | 4.33 | 4.33 | 5.55 | 5.55 |
| ACT. | DA 32 | DA 32 | DA 32 | DA 32 | DA 52 | DA 52 |

Art. 8P0134

VALVE WITH SPRING RETURN ACTUATOR

| | | | | | | |
|--------|-------|-------|-------|--------|--------|-------|
| PSI | 1000 | 1000 | 1000 | 1000 | 1000 | 1000 |
| DN - A | 1/2" | 3/4" | 1" | 1 1/4" | 1 1/2" | 2" |
| B | 5.98 | 6.18 | 6.77 | 7.17 | 8.46 | 9.25 |
| C | 5.28 | 5.35 | 5.75 | 5.91 | 6.97 | 7.32 |
| D | 2.80 | 2.80 | 2.80 | 2.80 | 3.17 | 3.17 |
| E | 2.64 | 3.07 | 3.54 | 3.94 | 4.41 | 5.31 |
| F | 5.55 | 5.55 | 5.55 | 5.55 | 6.46 | 6.46 |
| ACT. | SR 52 | SR 52 | SR 52 | SR 52 | SR 63 | SR 63 |