



JOB NAME:	CONTRACTOR:
JOB LOCATION:	APPROVAL:
ENGINEER:	CONTRACTOR P.O.:
APPROVAL:	REPRESENTATIVE:

## 8P0770

**770 DIRECT MOUNT, 2-WAY 3-PC STAINLESS STEEL, FULL PORT, SANITARY CONNECTION, NON-CAVITY FILLED BALL VALVE W DOUBLE ACTING ACTUATOR**

## 8P0772

**770 DIRECT MOUNT, 2-WAY 3-PC STAINLESS STEEL, FULL PORT, SANITARY CONNECTION, NON-CAVITY FILLED BALL VALVE W SPRING RETURN ACTUATOR**

**SIZES 1/2" TO 4"**

## 8P0771

**771 DIRECT MOUNT, 2-WAY 3-PC STAINLESS STEEL, FULL PORT, SANITARY CONNECTION, CAVITY FILLED BALL VALVE W DOUBLE ACTING ACTUATOR**

## 8P0773

**771 DIRECT MOUNT, 2-WAY 3-PC STAINLESS STEEL, FULL PORT, SANITARY CONNECTION, CAVITY FILLED BALL VALVE W SPRING RETURN ACTUATOR**

**SIZES 1/2" TO 4"**

## SPECIFICATIONS

The Bonomi 8P0770/8P0771/8P0772/8P0773 series pneumatic actuated packages feature the 770 [non-cavity filled] and the 771 [cavity filled] three-piece full port stainless steel ball valves with sanitary connections. Both valve series are ISO 5211 direct mount, and come with a grounded ball and stem, and a Ra 15 finish. A grounded ball & stem is standard.

The Valbia pneumatic actuator comes with a hard-anodized aluminum body, and powder coated end caps. In addition, all Valbia pneumatic actuators are standardly furnished with elevated temperature seals to 302°F. The patented side loaded limit stops never enter the piston chamber eliminating extra possible leak paths.

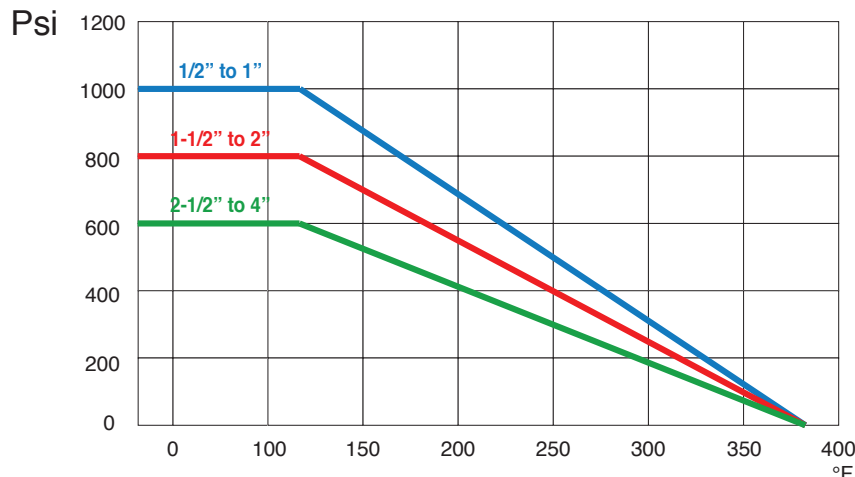
## ACTUATOR FEATURES

- Hard anodized extruded aluminum body
- Concentric spring sets
- Die cast aluminum end caps
- Solid steel barstock pinion (not casting)
- 0°-90° rotation adjustment cam
- 0°-90° rotation adjustment bolts
- POM piston guides
- Minimum air pressure rating: 80 psi
- Maximum air pressure rating: 116 psi
- Working temperature: -4°F - 302°F
- No lubrication maintenance required for the entire actuator lifetime
- 100% factory tested

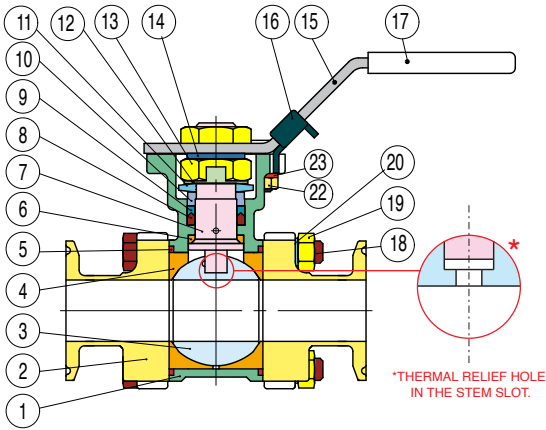
## VALVE FEATURES

- Stainless Steel, 3 Piece Direct Mount
- Full port, sizes 1/2" to 4"
- 770 - Non-Cavity Filled
- 771 - Cavity Filled
- ISO 5211 mounting pad with double "D" stem
- Temperature range -20°F to 450°F
- Working pressure 1000 psi WOG (1/2" to 1")  
800 psi WOG (1-1/2" to 2")  
600 psi WOG (2-1/2" to 4")
- Blow-out proof stem
- Anti-static Device
- International polishing to Ra 15 micron
- Tri-clamp style end connections
- Ball valves comply with standards: ISO 5211, ANSI B16.11, MSS SP-25, MSS SP-55

## PRESSURE - TEMPERATURE CHART FOR SERIES 770/771



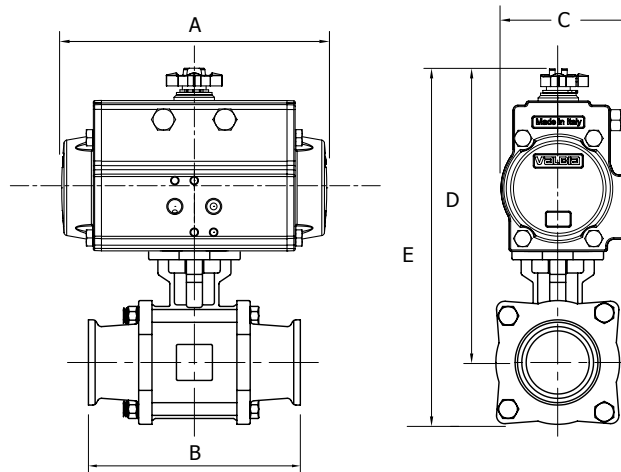
## BILL OF MATERIALS FOR 770/771



N POS	PART NAME	MATERIAL	N PCS
1	BODY	CF8M	1
2	END CONNECTION	CF8M	2
3	BALL	SS316L	1
4	SEATS	P.T.F.E.	2
5	JOINT GASKET	P.T.F.E.	2
6	STEM SEAL	R.P.T.F.E.	1
7	STEM	SS316L	1
8	GLAND PACKING	P.T.F.E.	2
9	GLAND PACKING	P.T.F.E. + GLASS	1
10	GLAND BUSH	SS304	1
11	BELLEVILLE WASHER	SS301	2
12	STOP WASHER	SS304	1

N POS	PART NAME	MATERIAL	N PCS
13	STEM NUT	SS304	2
14	STEM WASHER	SS304	1
15	HANDLE	SS304	1
16	LOCKING DEVICE	SS304	1
17	HANDLE SLEEVE	VINYL	1
18	BOLT	SS304	4
19	BOLT NUT	SS304	4
20	BOLT WASHER	SS304	4
21	STOP PIN	SS304	1
22	PIN NUT	SS304	1
23	WASHER	SS304	1

## DIMENSIONS



**8P0770**  
**8P0771**

770 W/ **DOUBLE ACTING** ACTUATOR  
771 W/ **DOUBLE ACTING** ACTUATOR

**8P0772**  
**8P0773**

770 W/ **SPRING RETURN** ACTUATOR  
771 W/ **SPRING RETURN** ACTUATOR

Size	A	B	C	D	E	ACT. DA
1/2"	5.55	2.59	2.80	5.65	5.84	52
3/4"	5.55	3.00	2.80	5.88	6.19	52
1"	5.55	3.39	2.80	6.22	6.66	52
1-1/2"	6.46	4.70	3.17	7.49	8.19	63
2"	8.27	5.17	3.72	8.50	9.15	75
2-1/2"	8.27	6.46	3.72	9.43	10.62	75
3"	9.47	7.19	4.17	10.34	11.78	85
4"	10.83	9.28	4.84	11.42	13.34	100

Size	A	B	C	D	E	ACT. SR
1/2"	6.46	2.59	3.17	6.10	6.28	63-04
3/4"	6.46	3.00	3.17	6.10	6.28	63-04
1"	8.27	3.39	3.72	7.38	7.82	75
1-1/2"	9.47	4.70	4.17	8.76	9.45	85
2"	10.83	5.17	4.84	9.55	10.49	100
2-1/2"	13.11	6.46	5.39	11.65	13.03	115
3"	14.65	7.19	5.83	12.68	14.13	125
4"	19.69	9.28	7.32	15.10	16.30	160