

JOB NAME:	CONTRACTOR:
JOB LOCATION:	APPROVAL:
ENGINEER:	CONTRACTOR P.O.:
APPROVAL:	REPRESENTATIVE:

## 8P760021

**760021 2-WAY STAINLESS STEEL, ANSI 150 FLANGED, FOR STEAM, SPLIT BODY STYLE, FULL PORT BALL VALVE WITH DOUBLE ACTING ACTUATOR**

**SIZES 1/2" TO 8"**

## 8P760023

**760021 2-WAY STAINLESS STEEL, ANSI 150 FLANGED, FOR STEAM, SPLIT BODY STYLE, FULL PORT BALL VALVE WITH SPRING RETURN ACTUATOR**

**SIZES 1/2" TO 8"**

### SPECIFICATIONS

The 8P760021/8P760023 series pneumatic actuated assembled package features the split bodied 760021 2-way stainless steel, full port, with ISO 5211 mounting pad, double D stem, and carbon-filled PTFE seats. This series also has a relief hole in the stem slot for thermal cycling protection, and is rated up to 200 WSP. The valve also meets ANSI 16.5, 16.34, and 16.10 standards.

The Valbia pneumatic actuator comes with a hard-anodized aluminum body, and powder coated end caps. In addition, all Valbia pneumatic actuators are standardly furnished with elevated temperature seals to 302°F. The patented side loaded limit stops never enter the piston chamber eliminating extra possible leak paths.

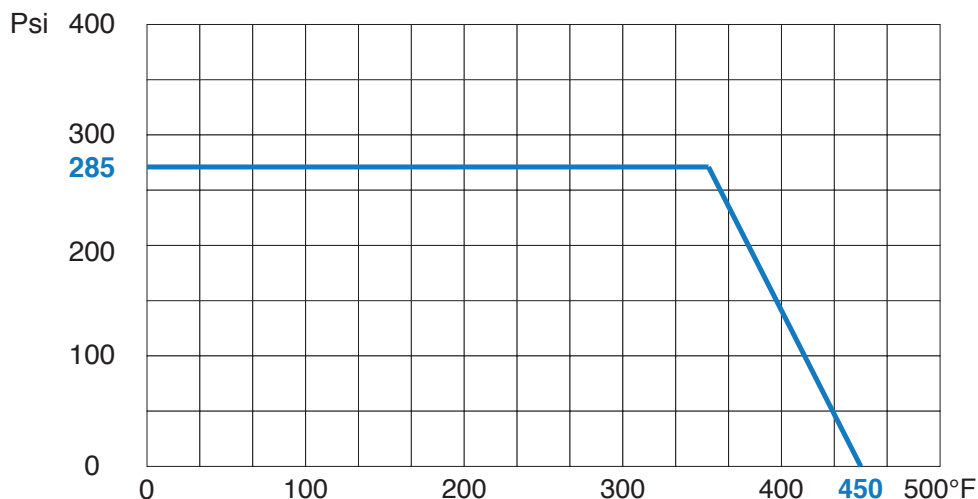
### ACTUATOR FEATURES

- Hard anodized extruded aluminum body
- Concentric spring sets
- Die cast aluminum end caps
- Solid steel barstock pinion (not casting)
- 0°-90° rotation adjustment cam
- 0°-90° rotation adjustment bolts
- POM piston guides
- Minimum air pressure rating: 80 psi
- Maximum air pressure rating: 116 psi
- Working temperature: -4°F - 302°F
- No lubrication maintenance required for the entire actuator lifetime
- 100% factory tested

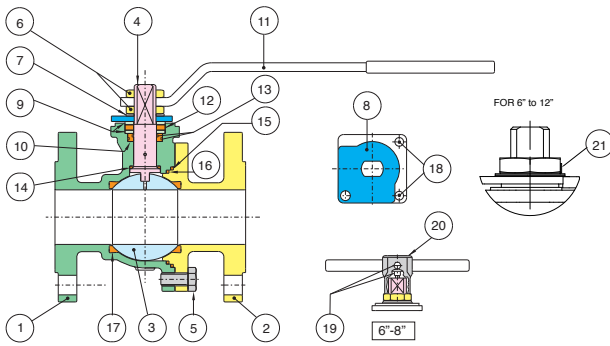
### VALVE FEATURES

- Stainless Steel, ANSI class 150 flanged
- Full port, sizes 1/2" to 8"
- Temperature range -4°F to 450°F
- Blow-out proof stem, adjustable stem packing
- 25% Carbon Filled P.T.F.E. seats
- Steam pressure to 200 psi
- 100% tested
- PED 97/23/CE
- ANSI B16.5, B16.10, B16.34 design
- Fire Safe API 6FA-API 607 4th edition
- Antistatic Device
- ISO 5211 mounting pad with double "D" stem

### PRESSURE - TEMPERATURE CHART FOR SERIES 760021



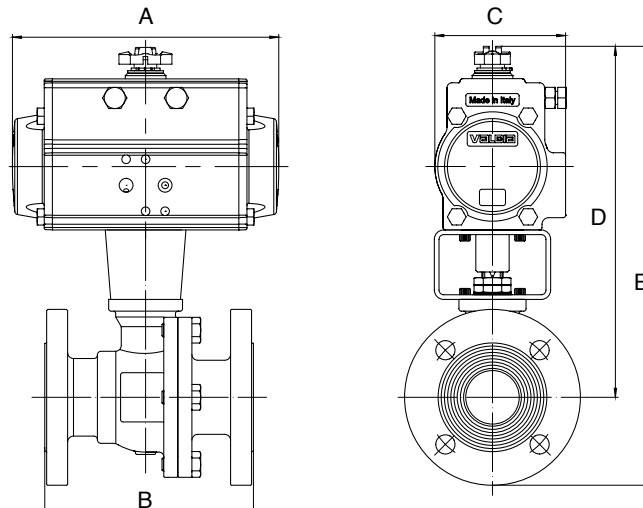
## BILL OF MATERIALS FOR 760021



N POS	PART NAME	MATERIAL	N PCS
1	BODY	A351 CF8M	1
2	END CONNECTION	A351 CF8M	1
3	BALL	A479-316/A351 CF8M	1
4	STEM	A276-316	1
5	SCREW	STEEL	4-8
6	NUT	STEEL	1-2
7	SPRING WASHER	STEEL	2
8	TRAVEL STOP	STEEL	1
9	PACKING GLAND	STEEL	2
10	STEM SEAL	P.T.F.E.	1
11	HANDLE	STEEL	1

N POS	PART NAME	MATERIAL	N PCS
12	STEM SEAL	GRAPHOIL	1
13	O-RING	FKM (Viton®)	2
14	THRUST WASHER	P.T.F.E.	1
15	SEAL	GRAPHOIL	1
16	SEAL	P.T.F.E.	1
17	BALL SEATS	R.P.T.F.E.	2
18	SCREW	STEEL	2
19	SCREW	STEEL	2
20	BODY HANDLE	CAST IRON	1
21	UNSCREWING GROWER	A182-F316	1

## DIMENSIONS



### 8P760021

760021 W/ **DOUBLE ACTING** ACTUATOR

Size	A	B	C	D	E	ACT. DA
1/2"	4.33	4.25	1.77	5.82	7.59	32
3/4"	5.55	4.61	2.80	7.44	9.40	52
1"	5.55	5.00	2.80	8.14	10.31	52
1-1/2"	6.46	6.50	3.17	9.80	12.36	63
2"	8.27	7.01	3.72	10.82	13.77	75
3"	9.47	7.99	4.17	13.11	16.85	85
4"	10.83	9.02	4.84	14.17	18.70	100
6"	14.65	15.51	5.83	18.18	23.70	125
8"	17.13	17.99	6.46	20.74	27.55	140

### 8P760023

760021 W/ **SPRING RETURN** ACTUATOR

Size	A	B	C	D	E	ACT. SR
1/2"	5.55	4.25	2.80	7.28	9.05	52
3/4"	6.46	4.61	3.17	7.87	9.84	63
1"	6.46	5.00	3.17	8.58	10.74	63
1-1/2"	9.47	6.50	3.72	11.06	13.62	85
2"	10.83	7.01	4.84	11.88	14.84	100
3"	14.65	7.99	5.83	15.47	19.21	125
4"	14.65	9.02	5.83	16.02	20.55	125
6"	19.69	15.51	7.32	19.99	25.51	160
8"	19.69	17.99	7.32	21.69	28.50	160