

HIGH PERFORMANCE BUTTERFLY VALVE



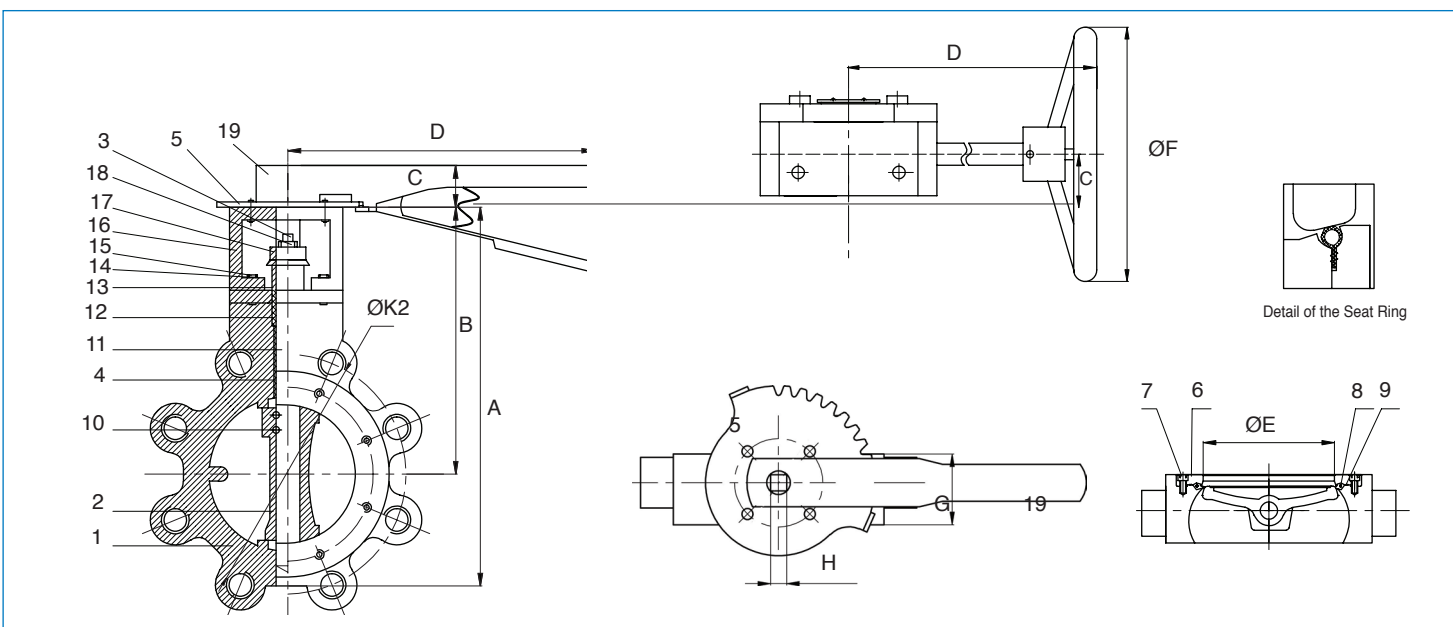
SERIES 8101 - 9101

CARBON STEEL STAINLESS STEEL

Manually operated ANSI 150 class, high performance Lug style butterfly valves.

- ISO 5211 direct mounting pad/square stem.
- Compact design, easy access to packing.
- Replaceable seat design.
- Multiple V-ring stem packing.
- Reliable and consistent torques.
- R.P.T.F.E seats, metal seats upon request.
- 14" to 24" sizes available upon request.
- 150 WSP.
- Temperature range: -20° F to 475° F.
- Sizes 2" to 12".

G8101-G9101: Gear operated version.



N POS	PART NAME	MATERIAL	N POS
1	BODY	WCB/CF8M	1
2	DISC	CF8M	1
3	STEM BOLT	SS 304	2
4	STEM BUSHING	SS 316 + PTFE	3
5	PLATE	SS 304	1
6	SEAT RETAINER	WCB/CF8M	1
7	RETAINER SCEW	SS 304	6-8
8	O-RING	VITON®	1
9	SEAT	CARBON FILLED PTFE	1
10	PIN	SS 316	2
11	STEM	AISI 17-4PH	1
12	V-RING	PTFE	6-9
13	GLAND BUSHING	SS 316	1
14	SPRING WASHER	SS 304	4
15	HEX BOLT	SS 304	4
16	MOUNTING FLANGE	WCB/CF8M	1
17	GLAND	CF8M	1
18	NUT	SS 304	2
19	HANDLE	MALLEABLE IRON	1

SIZE	A	B	C	D	ØE	ØF	G	H	ISO 5211	ØK2	Break torque	psi carbon-stainless	Cv	Weight Lbs
2"	9.42	6.42	1.26	10.5	2.45	C/F	1.75	11mm	F07	4.75" x 4 x 5/8"	201	285/275	102	11.24
2 1/2"	9.13	6.42	1.26	10.5	2.91	C/F	1.88	11mm	F07	5.50" x 4 x 5/8"	233	285/275	146	12.57
3"	10.43	7.40	1.26	10.5	3.37	C/F	1.92	11mm	F07	6.00" x 4 x 5/8"	254	285/275	228	14.55
4"	11.73	8.23	1.26	10.5	4.25	C/F	2.13	14mm	F07	7.50" x 8 x 5/8"	305	285/275	451	23.37
5"	13.32	9.07	1.26	10.5	5.30	C/F	2.25	17mm	F07	8.50" x 8 x 3/4"	576	285/275	714	28.88
6"	14.50	9.60	1.26	10.5	6.40	C/F	2.31	17mm	F07	9.50" x 8 x 3/4"	848	285/275	1103	35.27
8"	16.30	10.80	1.26	13.9	8.35	C/F	2.50	17mm	F10	11.75" x 8 x 3/4"	1505	285/275	2064	66.14
10"	19.26	11.36	1.54	8.90	10.16	11.8	2.81	22mm	F10	14.25" x 12 x 7/8"	2744	285/275	3517	84.88
12"	23.00	14.37	1.54	8.90	11.93	11.8	3.23	27mm	F14	17.00" x 12 x 7/8"	4602	285/275	4837	142.20