

HIGH PERFORMANCE BUTTERFLY VALVE



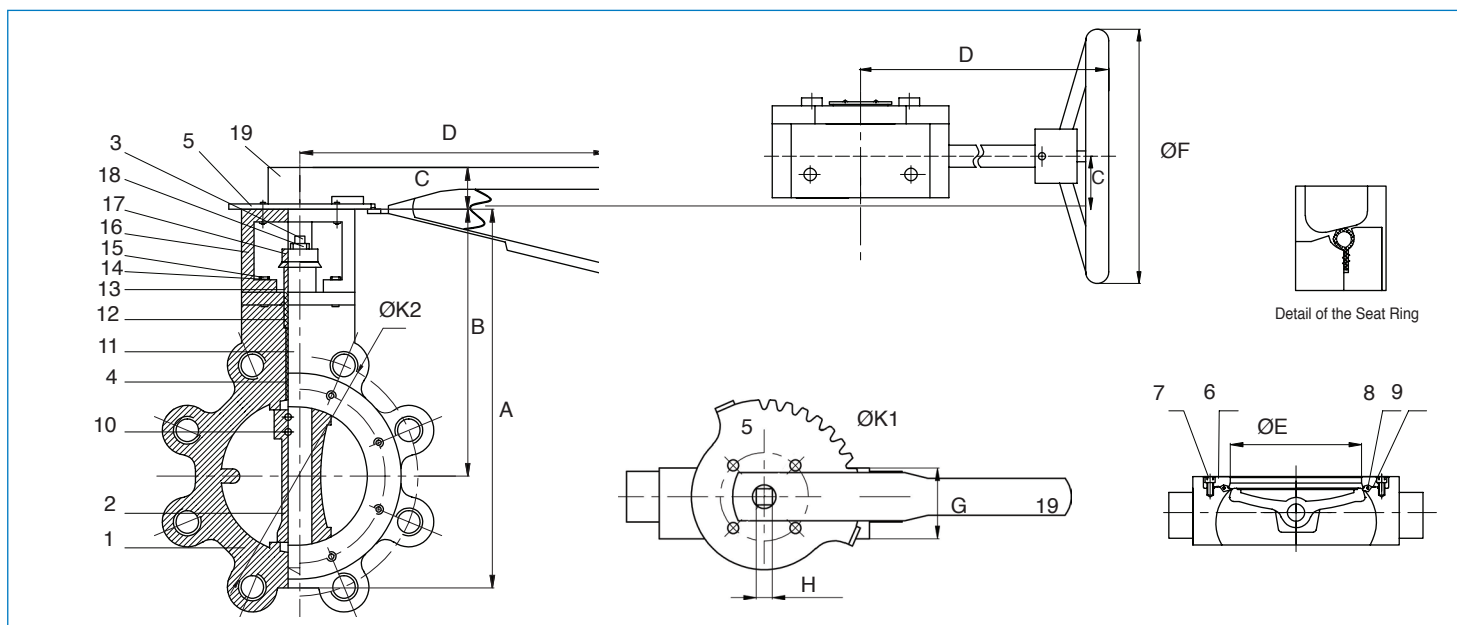
SERIES 8301 - 9301

CARBON STEEL STAINLESS STEEL

Manually operated ANSI 300 class, high performance Lug style butterfly valves.

- ISO 5211 direct mounting pad/square stem.
- Compact design, easy access to packing.
- Replaceable seat design.
- Multiple V-ring stem packing.
- Reliable and consistent torques.
- R.P.T.F.E seats, metal seats upon request.
- 14" to 24" sizes available upon request.
- 150 WSP.
- Temperature range: -20° F to 475° F.
- Sizes 2" to 12".

G8301-G9301: Gear operated version.



N POS	PART NAME	MATERIAL	N POS
1	BODY	WCB/CF8M	1
2	DISC	CF8M	1
3	STEM BOLT	SS 304	2
4	STEM BUSHING	SS 316 + PTFE	3
5	PLATE	SS 304	1
6	SEAT RETAINER	WCB/CF8M	1
7	RETAINER SCEW	SS 304	6-8
8	O-RING	VITON®	1
9	SEAT	CARBON FILLED PTFE	1
10	PIN	SS 316	2
11	STEM	AISI 17-4PH	1
12	V-RING	PTFE	6-9
13	GLAND BUSHING	SS 316	1
14	SPRINGER WASHER	SS 304	4
15	HEX BOLT	SS 304	4
16	MOUNTING FLANGE	WCB/CF8M	1
17	GLAND	CF8M	1
18	NUT	SS 304	2
19	HANDLE	MALLEABLE IRON	1

SIZE	A	B	C	D	ØE	ØF	G	H	ØK1	ØK2	Break torque	psi carbon-stainless	Cv	Weight Lbs
2"	9.42	6.42	1.26	10.5	2.45	C/F	1.75	11mm	F07	4.75"x4x5/8"	253	740/720	102	14.33
2 1/2"	9.13	6.42	1.26	10.5	2.91	C/F	1.88	11mm	F07	5.50"x4x5/8"	277	740/720	146	17.20
3"	10.43	7.40	1.26	10.5	3.37	C/F	1.92	11mm	F07	6.00"x4x5/8"	295	740/720	228	19.62
4"	11.73	8.23	1.26	10.5	4.25	C/F	2.13	14mm	F07	7.50"x8x5/8"	428	740/720	451	27.12
5"	13.32	9.07	1.26	10.5	5.30	C/F	2.25	17mm	F07	8.50"x8x3/4"	723	740/720	714	33.29
6"	14.50	9.60	1.26	10.5	6.40	C/F	2.31	17mm	F07	9.50"x8x3/4"	1125	740/720	1103	50.04
8"	16.30	10.80	1.26	13.9	8.35	C/F	2.50	17mm	F10	11.75"x8x3/4"	1903	740/720	2064	78.92
10"	19.26	11.36	1.54	8.90	10.16	11.8	2.81	22mm	F10	14.25"x12x7/8"	3496	740/720	3517	116.84
12"	23.00	14.37	1.54	8.90	11.93	11.8	3.23	27mm	F14	17.00"x12x7/8"	5176	740/720	4837	165.35