

JOB NAME:	CONTRACTOR:
JOB LOCATION:	APPROVAL:
ENGINEER:	CONTRACTOR P.O.:
APPROVAL:	REPRESENTATIVE:

## DA97T150

**97T150 3-WAY T-PORT STAINLESS STEEL, ANSI 150 FLANGED, BLOCK BODY, FULL PORT BALL VALVE W/ DOUBLE ACTING ACTUATOR**

## SR97T150

**97T150 3-WAY T-PORT STAINLESS STEEL, ANSI 150 FLANGED, BLOCK BODY, FULL PORT BALL VALVE W/ SPRING RETURN ACTUATOR**

SIZES 1/2" TO 6"

## DA97L150

**97L150 3-WAY L-PORT STAINLESS STEEL, ANSI 150 FLANGED, BLOCK BODY, FULL PORT BALL VALVE W/ DOUBLE ACTING ACTUATOR**

## SR97L150

**97L150 3-WAY L-PORT STAINLESS STEEL, ANSI 150 FLANGED, BLOCK BODY, FULL PORT BALL VALVE W/ SPRING RETURN ACTUATOR**

SIZES 1/2" TO 6"

### SPECIFICATIONS

The DA97T150-DA97L150-SR97T150-SR97L150 pneumatic actuated packages include the 97 series block style ISO direct mount, three way, full port, Class 150 flanged ends, ASTM A 351-CF8M stainless steel ball valve, with RTFE seats and seals.

The Valbia pneumatic actuator comes with a hard-anodized aluminum body, and powder coated end caps. In addition, all Valbia pneumatic actuators are standardly furnished with elevated temperature seals to 302F. The patented side loaded limit stops never enter the piston chamber eliminating extra possible leak paths.

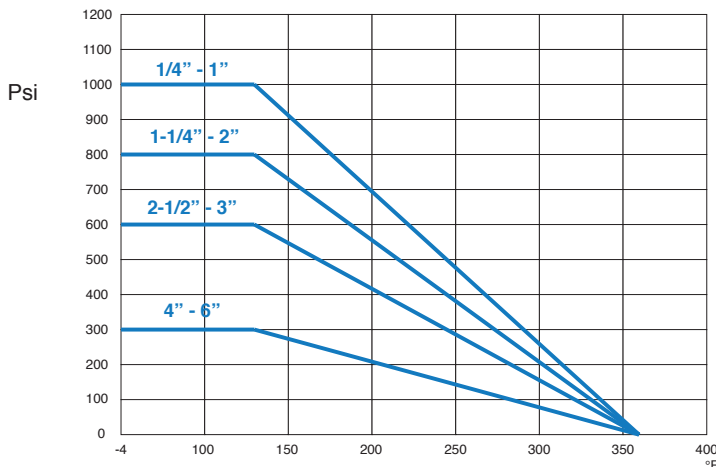
### ACTUATOR FEATURES

- Hard anodized extruded aluminum body
- Concentric spring sets
- Die cast aluminum end caps
- Solid steel barstock pinion (not casting)
- 0°-90° rotation adjustment cam
- 0°-90° rotation adjustment bolts
- POM piston guides
- Minimum air pressure rating: 80 psi
- Maximum air pressure rating: 116 psi
- Working temperature: -4°F - 302°F
- No lubrication maintenance required for the entire actuator lifetime
- 100% factory tested
- Also available with Stainless Steel Pneumatic Actuator

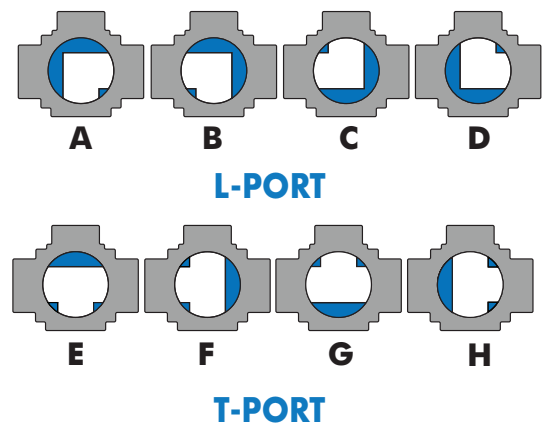
### VALVE FEATURES

- Stainless Steel, ANSI class 150 flanged
- Full port, sizes 1/2" to 6"
- Pressure rating 1/4" to 1" - 1000 psi, 1-1/4" to 2" - 800 psi, 2-1/2" to 3" - 600 psi, 4" to 6" - 300 psi
- Temperature range -20°F to 450°F
- Blow-out proof stem
- R.P.T.F.E. seats & seals
- Grounded Ball & Stem
- Multiple Chevron style stem packing
- 100% tested
- All stainless steel external components
- ISO 5211 mounting pad with square stem

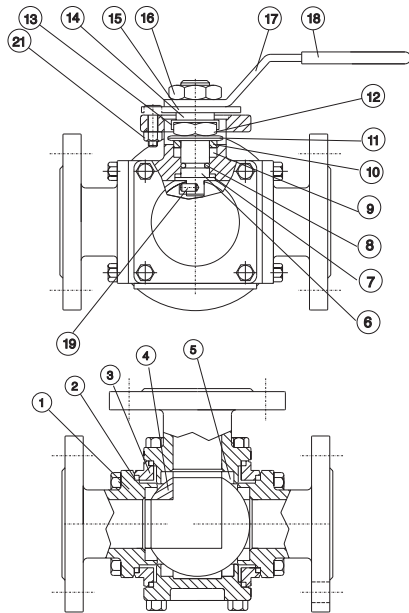
### PRESSURE - TEMPERATURE CHART FOR SERIES 97T150 & 97L150



### PORT CONFIGURATIONS



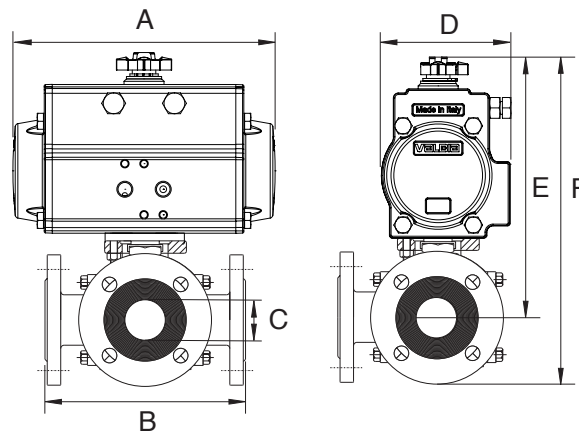
## BILL OF MATERIALS FOR 97T150 & 97L150



N POS	PART NAME	MATERIAL	N PCS
1	FLANGED ENDS	A351 CF8M	3
2	GASKET	P.T.F.E.	4
3	BODY	A351 CF8M	1
4	BALL	SS 316	1
5	BALL SEATS	P.T.F.E.	4
6	THRUST WASHER	R.P.T.F.E.	1
7	STEM	SS 316	1
8	O-RING	FKM (Viton®)	1
9	STEM PACKING	P.T.F.E.	1
10	GLAND	SS 304	2
11	DISC WASHER	SS 301	1

N POS	PART NAME	MATERIAL	N PCS
12	STEM NUT	SS 304	1
13	NUT STOP	SS 304	1
14	SPACE WASHER	SS 304	1
15	STOPPER PLATE	SS 304	1
16	HANDLE NUT	SS 304	1
17	HANDLE	SS 304	1
18	HANDLE SLEEVE	VINYL	1
19	INSERT PIN	SS 304	1
20	STOP PIN	SS 316	1
21	STOP PIN NUT	SS 304	1

## DIMENSIONS



**DA97T150**  
**DA97L150**

97T150 W/ **DOUBLE ACTING** ACTUATOR  
 97L150 W/ **DOUBLE ACTING** ACTUATOR

**SR97T150**  
**SR97L150**

97T150 W/ **SPRING RETURN** ACTUATOR  
 97L150 W/ **SPRING RETURN** ACTUATOR

Size	A	B	C	D	E	F	ACT. DA
1/2"	5.55	5.12	0.59	2.80	9.98	17.16	52
3/4"	6.46	6.50	0.79	3.17	11.02	18.90	63
1"	8.27	6.50	0.98	3.72	12.64	21.62	75
1-1/2"	9.47	8.07	1.50	4.17	14.37	24.76	85
2"	10.83	12.80	1.97	4.84	16.17	28.12	100
2-1/2"	13.11	15.75	2.44	5.39	19.38	33.55	115
3"	13.11	19.69	2.99	5.39	19.57	33.99	115
4"	17.13	25.59	3.78	6.46	23.45	40.86	140
6"	19.69	47.24	5.91	7.32	26.69	46.86	160

Size	A	B	C	D	E	F	ACT. SR
1/2"	6.46	5.12	0.59	2.80	10.43	17.61	63
3/4"	8.27	6.50	0.79	3.17	11.73	19.61	75
1"	9.47	6.50	0.98	3.72	13.19	22.17	85
1-1/2"	13.11	8.07	1.50	4.17	16.23	26.62	115
2"	17.13	12.80	1.97	4.84	18.90	3.085	140
2-1/2"	19.69	15.75	2.44	5.39	21.69	35.86	160
3"	19.69	19.69	2.99	5.39	21.89	36.30	160
4"	22.76	25.69	3.78	6.46	26.64	44.05	200
6"	27.17	47.24	5.91	7.32	30.79	50.96	230