



JOB NAME:	CONTRACTOR:
JOB LOCATION:	APPROVAL:
ENGINEER:	CONTRACTOR P.O.:
APPROVAL:	REPRESENTATIVE:

M8E077

776032 3-WAY WAFER STYLE, BRACKET MOUNTED, CARBON STEEL DIVERTING BALL VALVE, "L" PORT, TWO SEATS, ANSI CLASS 150, REDUCED BORE WITH VALBIA METAL ELECTRIC ACTUATOR

SIZES 1/2" TO 4"

M8E086

776018 3-WAY WAFER STYLE, BRACKET MOUNTED, STAINLESS STEEL DIVERTING BALL VALVE, "L" PORT, TWO SEATS, ANSI CLASS 150, REDUCED BORE WITH VALBIA METAL ELECTRIC ACTUATOR

SIZES 1/2" TO 4"

*001	12V AC/DC	*002	24V AC/DC	*003	100-240V AC
01	BATTERY BACKUP	*02*	POSITIONER	*04*	BATTERY BACKUP W POSITIONER

SPECIFICATIONS

The Bonomi M8E077 series electric actuated package features a short profile, carbon steel, ANSI 150 Class 3-way L port ball valve. The 8E086 electric package has a stainless-steel version of the same.

The Valbia electric VBM metal housing actuator is standardly furnished with dual voltages, two extra limit switches, torque limiter, manual override, a dome position indicator, 1/2" conduit connections, 75% duty cycle motor, contained in a NEMA 4 cast aluminum powder coated housing.

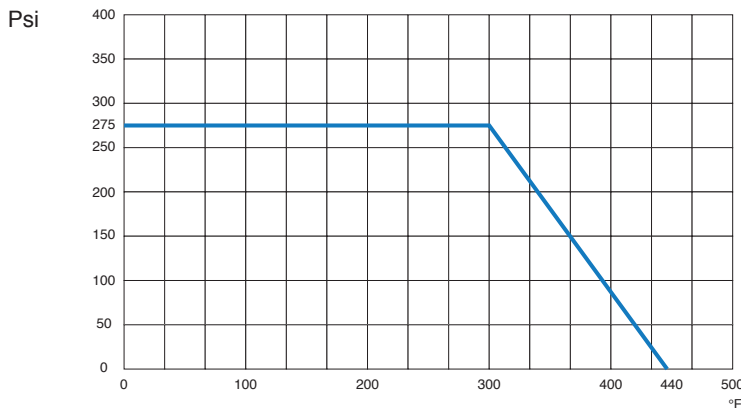
ACTUATOR FEATURES

- Dual Voltages
- 24V AC/DC and 100-240V AC
- ISO 5211 dual patterns
- 75% Duty Cycle
- High-Strength, Die Cast Aluminum Powder Coated Housing
- Temperature Range -4°F to 131°F
- NEMA 4 Housing
- Two Auxiliary Switches Standard
- Torque limiter standard
- 1/2" Conduit connections

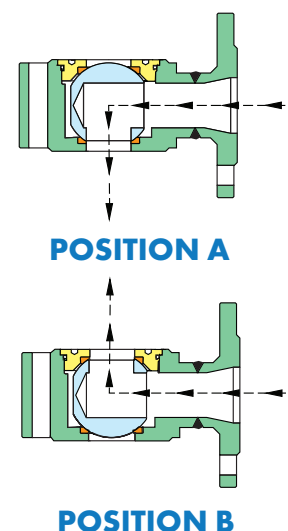
VALVE FEATURES

- ANSI Class 150, 3-way Diverter L port
- Compact design
- 776032 - Carbon Steel
- 776018 - Stainless Steel
- Sizes 1/2" to 4"
- Temperature range -4° F to 366° F.
- Blow out proof stem.
- R.P.T.F.E. seats, packing and thrust washer.
- 100% tested.
- TUV T.A. Luft approved.
- ISO 5211 mounting pad with double "D" stem

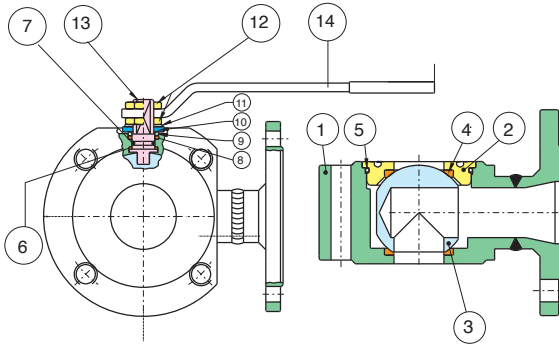
PRESSURE – TEMPERATURE CHART FOR SERIES 776018/776032



FLOW PATH



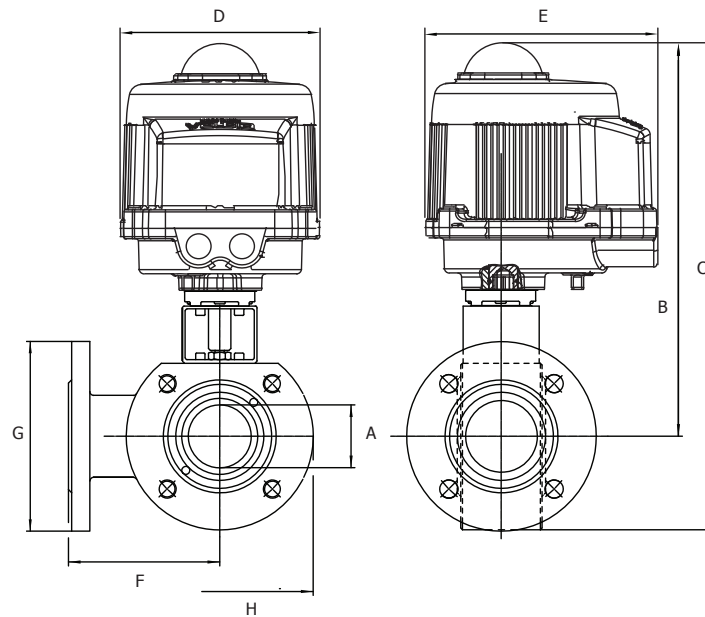
BILL OF MATERIALS



N POS	PART NAME	MATERIAL	N PCS
1	BODY	ASTM A105 / AISI 316	1
2	END CONNECTION	ASTM A105 / AISI 316	1
3	BALL	AISI 304 / AISI 316	1
4	BALL SEAT	R.P.T.F.E.	2
5	O-RING	FKM (Viton®)	1
6	THRUST WASHER	P.T.F.E.	1
7	O-RING	FKM (Viton®)	1

N POS	PART NAME	MATERIAL	N PCS
8	STEM SEAL	P.T.F.E.	1
9	PACKING GLAND	STEEL	1
10	END STOP	STEEL (1/2" - 2") STEEL (2-1/2" - 4")	2
11	SPRING WASHER	STEEL	2
12	NUT	STEEL	2
13	STEM	AISI 304 / AISI 316	1
14	HANDLE	STEEL	1

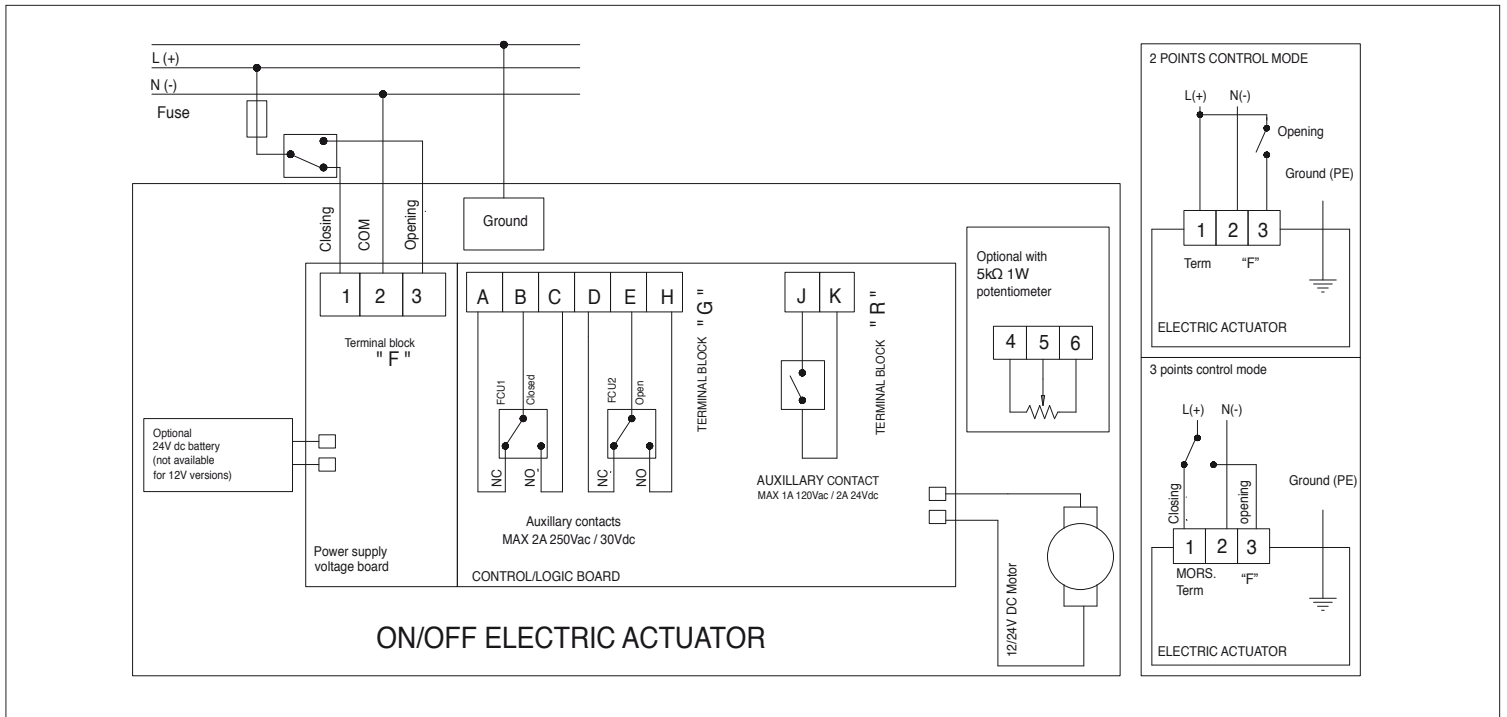
DIMENSIONS



Size	1/2"	3/4"	1"	1-1/4"	1-1/2"	2"	2-1/2"	3"	4"
A	0.39	0.59	0.78	0.98	1.26	1.57	1.97	2.50	2.99
B	11.39	11.72	12.43	12.70	14.59	15.22	19.14	19.94	21.63
C	9.90	10.09	10.50	10.67	12.12	14.47	15.83	16.31	17.30
D	6.34	6.34	6.34	6.34	6.93	6.93	10.63	10.63	10.63
E	7.36	7.36	7.36	7.36	7.76	7.76	10.47	10.47	10.47
F	2.99	3.23	3.39	3.94	4.13	4.53	4.92	5.91	6.26
G	3.54	3.94	4.33	4.72	5.12	5.91	7.09	7.48	9.06
H	3.54	3.94	4.33	4.72	5.12	5.91	7.09	7.48	9.06
Act.	VB030M	VB030M	VB030M	VB030M	VB060M	VB060M	VB110M	VB110M	VB190M

ON/OFF WIRING DIAGRAM - VB030 -VB190

12V AC/DC, 24V AC/DC & 100-240VAC



POSITIONER WIRING DIAGRAM - VB030 -VB190

12V AC/DC, 24V AC/DC & 100-240VAC

