



JOB NAME:	CONTRACTOR:
JOB LOCATION:	APPROVAL:
ENGINEER:	CONTRACTOR P.O.:
APPROVAL:	REPRESENTATIVE:

ME8100

**ANSI 150 CLASS, CARBON STEEL HIGH PERFORMANCE WAFER STYLE BUTTERFLY VALVE WITH STAINLESS STEEL DISC WITH VALBIA METAL ELECTRIC ACTUATOR
SIZES 2" TO 12"**

ME9100

**ANSI 150 CLASS, STAINLESS STEEL HIGH PERFORMANCE WAFER STYLE BUTTERFLY VALVE WITH STAINLESS STEEL DISC WITH VALBIA METAL ELECTRIC ACTUATOR
SIZES 2" TO 12"**

*001 12V AC/DC	*002 24V AC/DC	*003 100-240V AC
01 BATTERY BACKUP	*02* POSITIONER	*04* BATTERY BACKUP W POSITIONER

SPECIFICATIONS

Bonomi North America series ME8100 and ME9100 packages, feature carbon and stainless steel Class 150, double off-set, wafer style high performance butterfly valves in sizes 2"-12". The carbon steel models have ASTM A216 WCB bodies and ASTM A351 CF8M discs. The stainless steel models come with ASTM A351 CF8M bodies and discs.

These valves are standardly furnished with ISO 5211 mounting pad, and square stems for direct mounting.

The ME8100 and ME9100 series also includes a rugged aluminum polyester powder coated metal housing NEMA 4 electric actuator, with standard features such as 2 extra limit switches, heater and thermostat, torque limiter, dual voltages, bubble type position indicator and a 75% duty cycle motor.

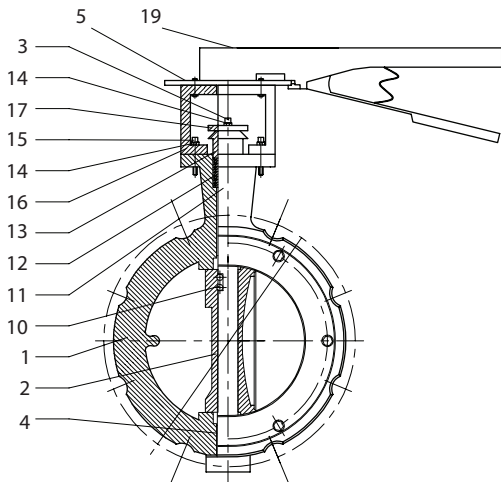
ACTUATOR FEATURES

- Dual Motors
- 24V AC/DC and 100-240V AC Models Available
- ISO 5211 dual patterns
- 75% Duty Cycle
- Anti-condensation heater, (when red wire is connected to power)
- High-Strength, Die Cast Aluminum Powder Coated Housing
- Temperature Range -4°F to 131°F
- NEMA 4 Housing
- Two Auxiliary Switches Standard
- Torque limiter standard
- 1/2" conduit connections

VALVE FEATURES

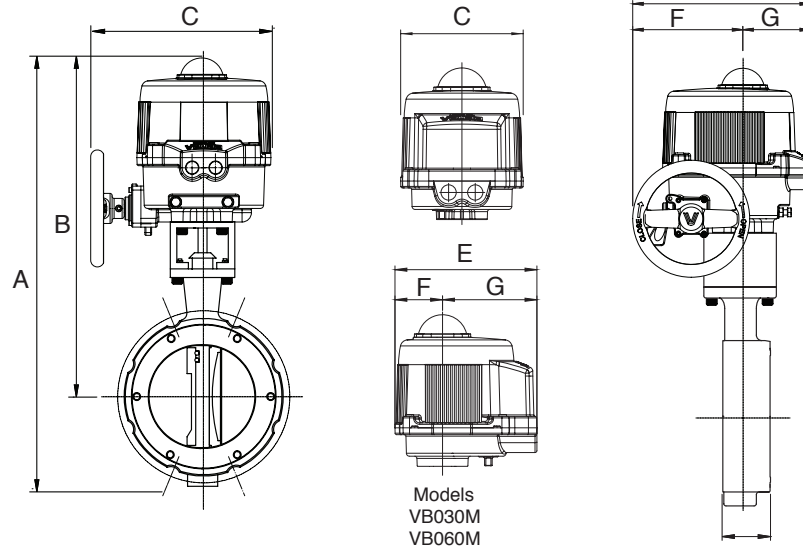
- ISO 5211 Direct Mount
- 8100 - Carbon Steel Wafer body
- 9100 - Stainless Steel Wafer body
- Compact Design, Easy Access to Packing
- Replaceable Seat Design
- Multiple V-Ring Stem Packing
- Reliable and Consistent Torques
- Optional Metal to Metal and PTFE Seat Design
- 14" to 24" Sizes Available Upon Request

BILL OF MATERIALS FOR 8100 & 9100



N POS	PART NAME	MATERIAL	N PCS
1	BODY	WCB/CF8M	1
2	DISC	CF8M	1
3	STEM BOLT	SS304	2
4	STEM BUSHING	SS316 + P.T.F.E.	3
5	PLATE	SS304	1
6	SEAT RETAINER	WCB/CF8M	1
7	RETAINER SCREW	SS304	6-8
8	O-RING	VITON®	1
9	SEAT	CARBON FILLED P.T.F.E.	1
10	PIN	SS316	2

N POS	PART NAME	MATERIAL	N PCS
11	STEM	AISI 17-4PH	1
12	V-RING	P.T.F.E.	6-9
13	GLAND BUSHING	SS316	1
14	SPRING WASHER	SS304	4
15	HEX BOLT	SS304	4
16	MOUNTING FLANGE	WCB/CF8M	1
17	GLAND	CF8M	1
18	NUT	SS304	2
19	HANDLE	MALLEABLE IRON	1



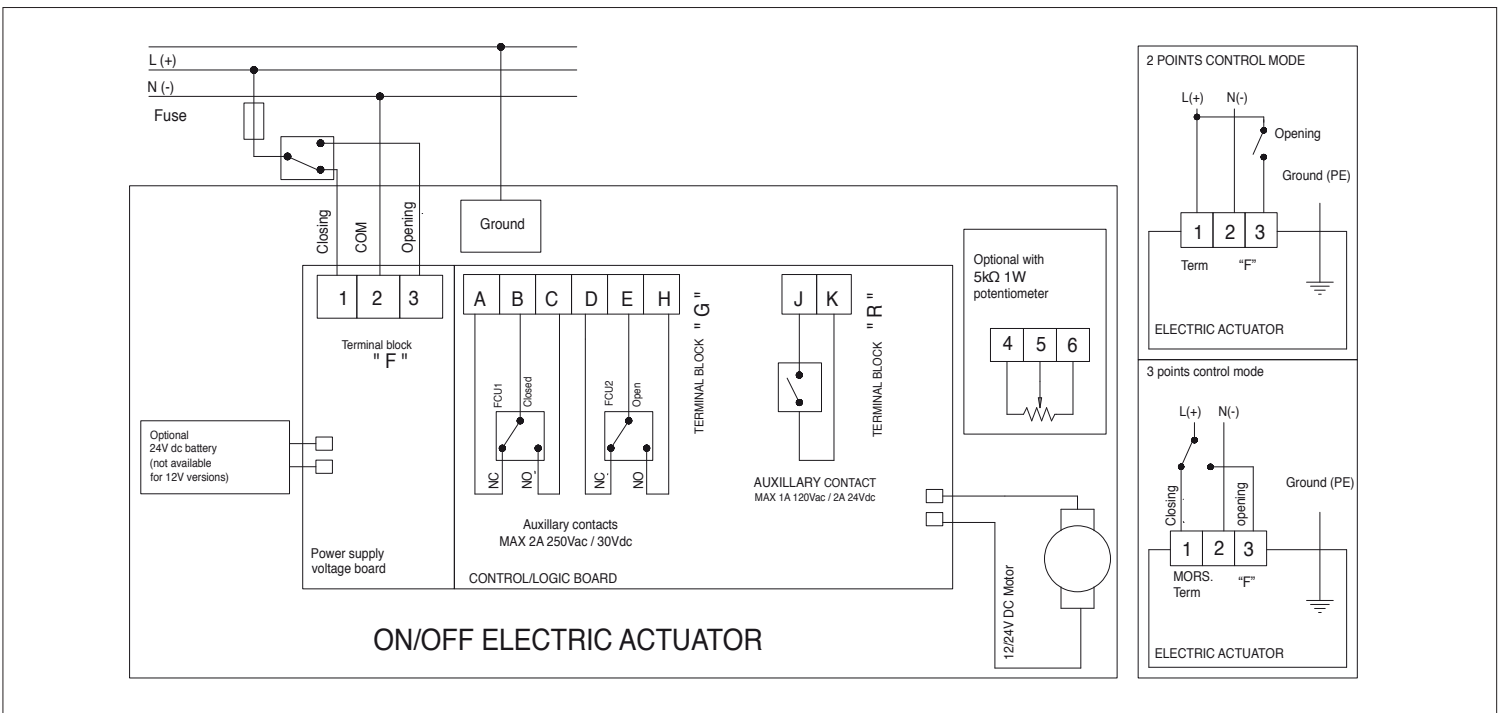
DIMENSIONS

Size	2"	2-1/2"	3"	4"	5"	6"	8"	10"	12" *
A	17.25	16.96	18.26	20.39	23.00	24.18	25.98	28.98	35.50
B	14.25	14.25	15.23	16.89	18.75	19.28	20.48	21.08	28.87
C	6.34	6.34	6.34	6.93	10.63	10.63	10.63	10.83	12.50
D	1.75	1.88	1.92	2.13	2.25	2.31	2.50	2.81	3.23
E	7.36	7.36	7.36	7.76	10.47	10.47	10.47	10.98	11.57
F	2.48	2.48	2.48	2.48	6.50	6.50	6.50	7.24	7.24
G	4.88	4.88	4.88	5.28	3.98	3.98	3.98	3.74	4.33
Act.	VB030M	VB030M	VB030M	VB060M	VB110M	VB110M	VB190M	VB350M	EA450M

* Battery Backup is not available on the 12" model

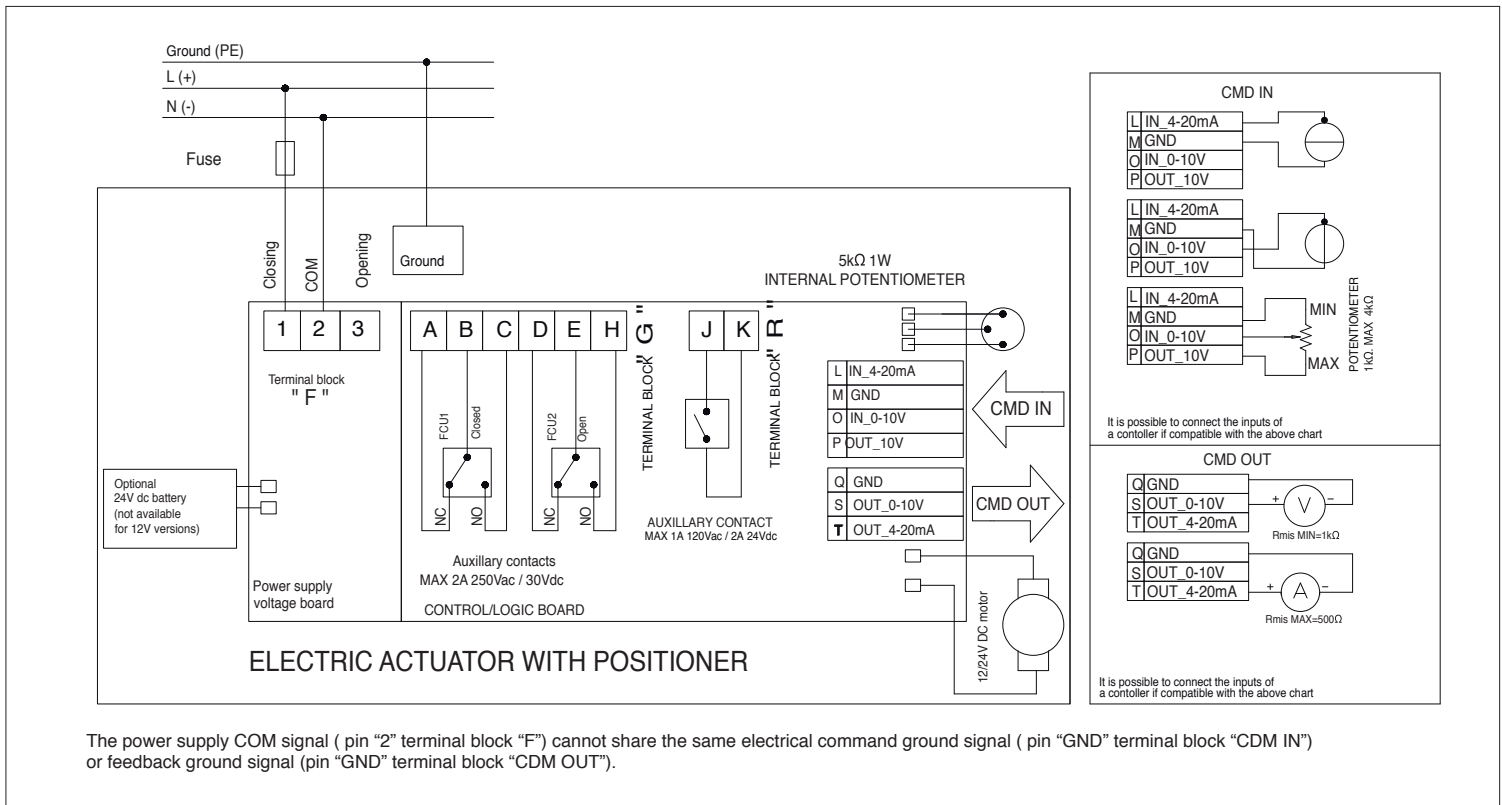
ON/OFF WIRING DIAGRAM

12V AC/DC, 24V AC/DC & 100-240VAC



POSITIONER WIRING DIAGRAM

12V AC/DC, 24V AC/DC & 100-240VAC



3-POSITION WIRING DIAGRAM

12V AC/DC, 24V AC/DC & 100-240VAC

