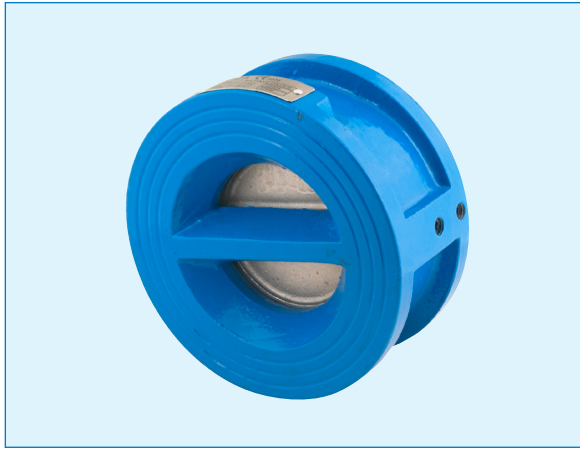


SERIES C1150E - C1150V CHECK VALVE

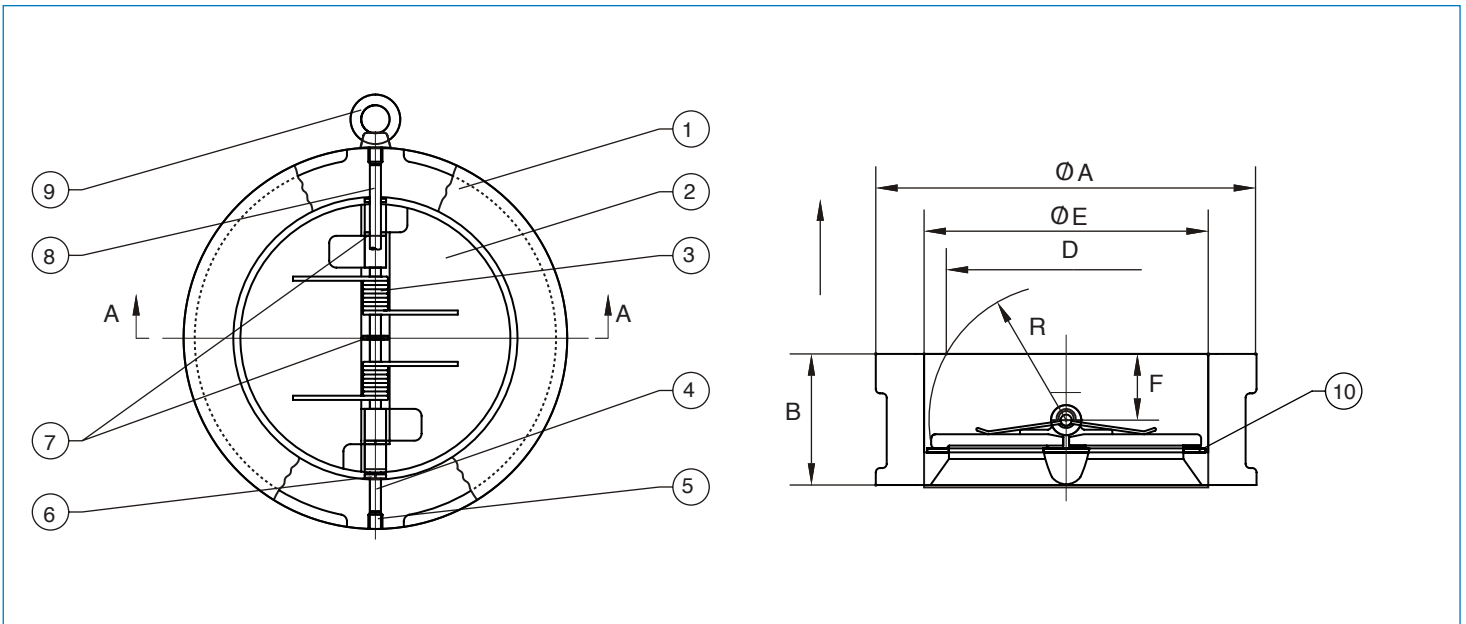


NSF/ANSI
61, 372



Double door wafer style check valve.

- Ductile iron body
- Stainless steel dual disc.
- Stainless steel spring loaded.
- Pressure rating 200 psi.
- Epoxy coated body.
- Food grade EPDM or Viton® seat options.
- Can be used with ANSI 125 or 150 flanges.
- Light weight and compact.
- NSF certified for drinking water service (EPDM seats only).
- Temperature range: -30° F to 250° F (EPDM seats).
- Sizes 2" to 12".



N POS	PART NAME	MATERIAL	N PCS
1	BODY	A536 GR 65-45-12 DUCTILE IRON	1
2	DISC	CF8M STAINLESS STEEL	1
3	STEM BOLT	STAINLESS STEEL	1
4	STEM BUSHING	STAINLESS STEEL	1
5	PLATE	CARBON STEEL	1
6	SEAT RETAINER	P.T.F.E	1
7	RETAINER SCEW	P.T.F.E	1
8	O-RING	STAINLESS STEEL	1
9	SEAT	CARBON STEEL	1
10	HANDLE	EPDM, VITON®	1

SIZE	OA	B	D	OE	F	R	Cv	psi	Weight Lbs
2"	4.01	1.69	1.70	2.55	0.74	1.13	70	200	3.30
2 1/2"	4.76	1.81	2.37	3.14	0.78	1.42	120	200	5.30
3"	5.23	2.51	2.61	3.70	1.10	1.70	190	200	7.90
4"	6.73	2.75	3.57	4.60	1.06	2.07	340	200	12.60
5"	7.59	2.99	4.60	5.70	1.18	2.58	590	200	16.10
6"	8.62	3.50	5.69	6.69	1.22	3.09	870	200	19.80
8"	10.8	4.48	7.80	8.81	1.29	4.11	1650	200	37.50
10"	13.2	4.48	9.20	10.4	1.96	4.99	2700	200	57.30
12"	15.9	5.00	11.2	12.2	1.69	5.83	4300	200	92.60