

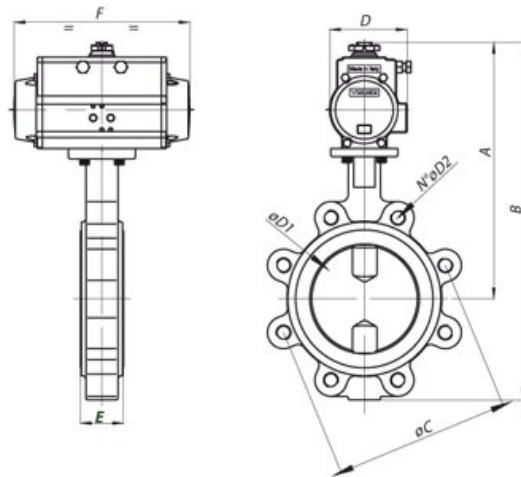
SR501S



DA-SR actuator, direct mount, Lug body EPDM seats, SS disc butterfly valve with double acting actuator.

Technical specifications

Drawing



Table

SIZE	ACT.	A	B	C	D	E	F	N°	ØD2	ØD1	WT/LBS
12"	*	-	-	17.00	-	-	-	12	7/8-9	11.87	*
2"	SR 75	10.95	14.10	4.74	3.72	1.65	8.15	4	5/8-11	2.07	15.3
2 1/2"	SR 75	11.50	15.00	5.49	3.72	1.76	8.15	4	5/8-11	2.54	16.2
3"	SR85	12.19	15.93	6.00	4.17	1.78	9.35	4	5/8-11	3.10	17.3
4"	SR 100	13.44	17.93	7.50	4.84	2.05	10.69	8	5/8-11	4.09	34.2
5"	SR 115	15.09	20.09	8.50	5.39	2.14	12.91	8	3/4-10	4.85	47.9
6"	SR 125	17.01	22.48	9.50	6.46	2.19	16.85	8	3/4-10	6.13	76.6
8"	SR 160	18.82	25.71	11.75	7.36	2.38	20.55	8	3/4-10	7.97	105.0
10"	SR 200	22.09	30.08	14.25	8.58	2.58	22.64	12	7/8-9	9.86	170