



JOB NAME:	CONTRACTOR:
JOB LOCATION:	APPROVAL:
ENGINEER:	CONTRACTOR P.O.:
APPROVAL:	REPRESENTATIVE:

DA700E

700E GROOVED END EPOXY-COATED DUCTILE IRON BODY, EPDM SEATS WITH **DOUBLE ACTING** PNEUMATIC ACTUATOR

DA700B

700B GROOVED END EPOXY-COATED DUCTILE IRON BODY, BUNA SEATS WITH **DOUBLE ACTING** PNEUMATIC ACTUATOR

SIZES 2" TO 12"

SR700E

700E GROOVED END EPOXY-COATED DUCTILE IRON BODY, EPDM SEATS WITH **SPRING RETURN** PNEUMATIC ACTUATOR

SR700B

700B GROOVED END EPOXY-COATED DUCTILE IRON BODY, BUNA SEATS WITH **SPRING RETURN** PNEUMATIC ACTUATOR

SIZES 2" TO 12"

SPECIFICATIONS

The Bonomi DA700E/SR700E/DA700B/SR700B series pneumatic actuated package features the 700E ISO 5211 direct mount epoxy coated, ductile iron, EPDM coated disc, grooved end ball valve. The E700B pneumatic package is the same except utilizing a BUNA-N coated disc.

The Valbia pneumatic actuator comes with a hard-anodized aluminum body, and powder coated end caps. In addition, all Valbia pneumatic actuators are standardly furnished with elevated temperature seals to 302°F. The patented side loaded limit stops never enter the piston chamber eliminating extra possible leak paths.

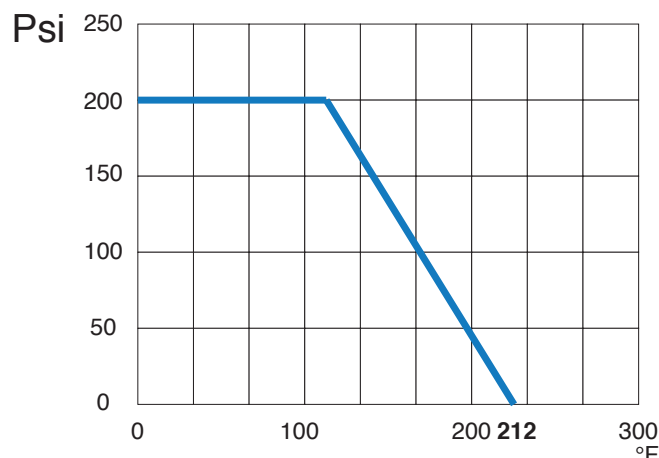
ACTUATOR FEATURES

- Hard anodized extruded aluminum body
- Concentric spring sets
- Die cast aluminum end caps
- Solid steel barstock pinion (not casting)
- 0°-90° rotation adjustment cam
- 0°-90° rotation adjustment bolts
- POM piston guides
- Minimum air pressure rating: 80 psi
- Maximum air pressure rating: 116 psi
- Working temperature: -4°F - 302°F
- No lubrication maintenance required for the entire actuator lifetime
- 100% factory tested

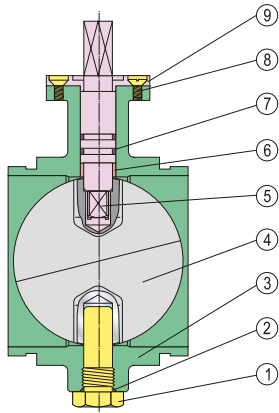
VALVE FEATURES

- Grooved End Epoxy-coated Ductile Iron body
- Sizes 2" to 12"
- ISO 5211 Direct Mount/Square Stem
- Epoxy coated Ductile Iron Wafer body
- EPDM seat (-30°F TO 250°F)
- BUNA seat (10°F TO 250°F)
- Face to face MSS-SP-67
- Ends meet ANSI AWWA C606
- Temperature Range: -4°F to 212°F

PRESSURE - TEMPERATURE CHART FOR SERIES 700E/700B

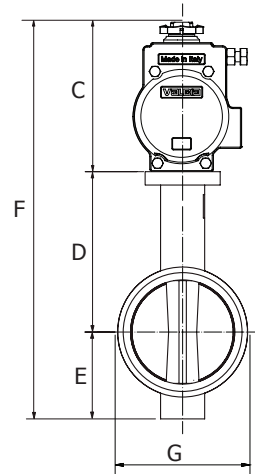
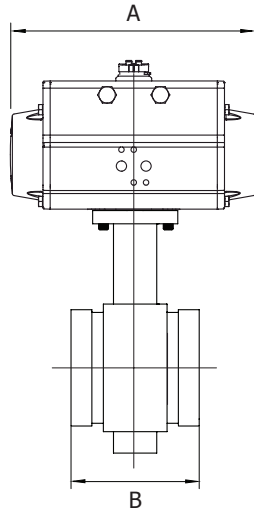


BILL OF MATERIALS



N POS	PART NAME	MATERIAL	N PCS
1	LOWER SHAFT	410 STAINLESS STEEL	1
2	SEAT	EPDM (-30°F TO 250°F) BUNA (10°F TO 250°F)	1
3	BODY	CAST IRON / DUCTILE IRON	1
4	DISC	DUCTILE IRON + NBR/EPDM	1
5	UPPER SHAFT	410 STAINLESS STEEL	1
6	BUSHING	P.T.F.E.	1
7	O-RING	EPDM (-30°F TO 250°F) BUNA (10°F TO 250°F)	1
8	SCREW	CARBON STEEL ZINC PLATED	1
9	COVER	CARBON STEEL NICKEL PLATED	1

DIMENSIONS



DA700E
DA700B

700E W/ **DOUBLE ACTING** ACTUATOR
700B W/ **DOUBLE ACTING** ACTUATOR

SR700E
SR700B

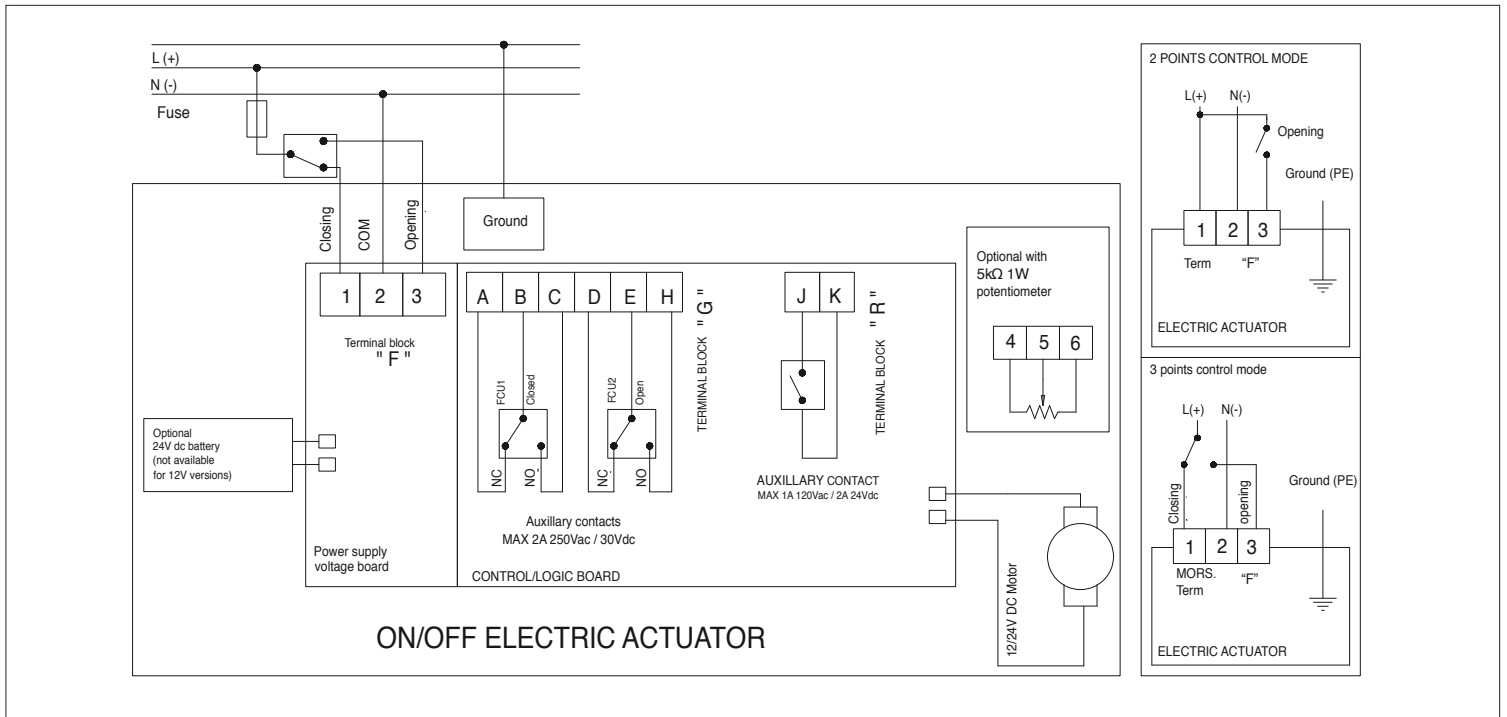
700E W/ **SPRING RETURN** ACTUATOR
700B W/ **SPRING RETURN** ACTUATOR

Size	A	B	C	D	E	F	G	ACT. DA
2"	5.55	3.24	4.00	4.68	2.48	11.16	2.37	52
2-1/2"	6.46	3.81	4.45	4.94	2.69	12.08	2.87	63
3"	6.46	3.81	4.45	5.17	3.15	12.77	3.50	63
4"	8.27	4.55	5.16	5.94	3.70	14.80	4.50	75
5"	9.47	5.81	5.71	6.75	4.25	16.71	4.50	85
6"	10.83	5.81	6.21	7.20	4.84	17.75	6.62	100
8"	14.65	5.25	8.05	8.08	5.88	22.01	8.62	125
10"	17.13	6.25	8.94	9.84	7.32	26.10	10.70	140
12"	19.69	6.50	9.88	10.28	8.38	29.06	12.70	160

Size	A	B	C	D	E	F	G	ACT. SR
2"	8.27	3.24	5.16	4.68	2.48	12.08	2.37	75
2-1/2"	9.47	3.81	5.71	4.94	2.69	12.77	2.87	85
3"	13.11	3.81	7.57	5.17	3.15	14.80	3.50	115
4"	13.11	4.55	7.57	5.94	3.70	16.71	4.50	115
5"	14.65	5.81	8.05	6.75	4.25	17.75	4.50	125
6"	14.65	5.81	8.05	7.20	4.84	22.01	6.62	125
8"	17.13	5.25	8.94	8.08	5.88	26.10	8.62	140
10"	19.69	6.25	9.88	9.84	7.32	29.06	10.70	160
12"	22.76	6.50	12.13	10.8	8.38	31.31	12.70	200

ON/OFF WIRING DIAGRAM - VB030 -VB190

12V AC/DC, 24V AC/DC & 100-240VAC



POSITIONER WIRING DIAGRAM - VB030 -VB190

12V AC/DC, 24V AC/DC & 100-240VAC

