

Job Name :	Contractor :
Job Location :	Approval :
Engineer :	Contractor's P.O. No. :
Approval :	Representative :



## Series 171N-1715 Commercial Style

Brass ball valve, female/female, full port sizes 1/4" to 4"

### Features

- Pressure Rating 600 WOG - 150 WSP
- Temperature to 366°F
- Blow out proof stem, chrome plated brass ball
- P.T.F.E. seats, seals, and thrust washer
- Adjustable stem packing
- 100% electronically tested in the open and closed position at 80 Psi.

### Options

- 171N** = Lever handle-size 1/4" to 4"
- 171L** = Locking lever handle 1/4" to 4"
- 172N** = T handle-size 1/4" to 1"
- 171C** = Nickel plated-size 1/4" to 4"
- 171S** = Ball & stem SS AISI 316 1/4" to 4"

### Specifications

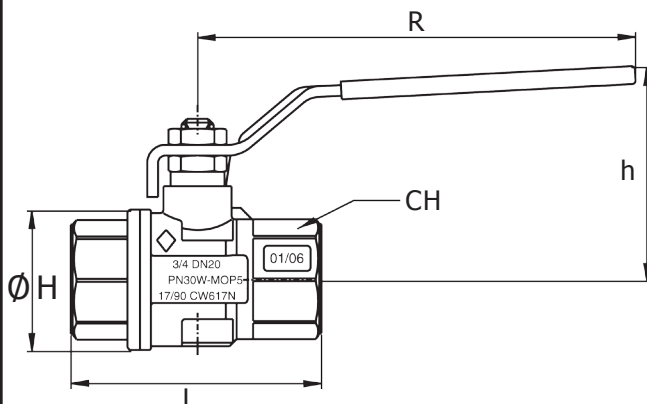
A 2-piece adapter loaded style, full port brass ball valve. The valve shall have a hot forged brass body for high tensile strength, a blowout proof bottom loaded stem, a 600WOG body rating and 150WSP rating for all sizes, 1/4" to 4"

The valve must incorporate virgin P.T.F.E. seats and seals for the tightest sealing, and an extra NBR O-ring in the stem for added protection. The threaded valve must conform to ANSI B1.20.1 and solder version (1715) to ANSI B16.18. The valve must have less than 2.5% lead content, and be approved to NSF-61.

The 171N shall conform and approved to the following standards: AGAZ21.15, AGA3-88, ASME 16.33, ASME 16.38, CAN/CGA-3.16-M88, MSS SP-110, U.L. YSDT, U.L. YRPV, U.L. VQGU, and FM-FMRC Class1140, and shall be a RB series 171N (threaded) or 1715 (solder) CRN numbers available.

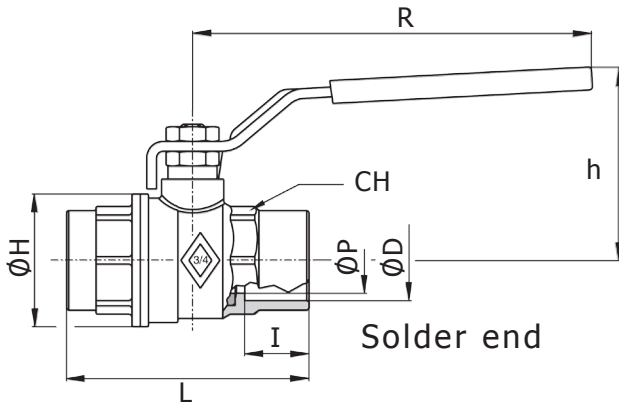


### Dimensions 171N Series



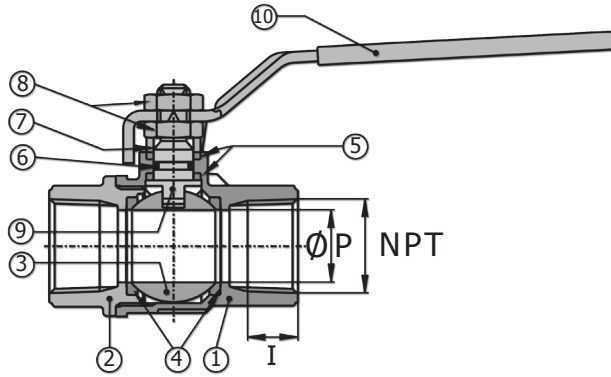
Size NPT	ØP	I	L	ØH	CH	R	h	Cv	Psi	Lbs
1/4"	0.39	0.39	2.02	0.90	0.78	3.86	1.65	6.29	600	0.33
3/8"	0.39	0.39	2.02	0.90	0.78	3.86	1.65	6.99	600	0.30
1/2"	0.59	0.53	2.44	1.25	0.98	3.86	1.81	19.00	600	0.48
3/4"	0.79	0.55	2.71	1.53	1.22	4.80	2.28	34.40	600	0.79
1"	0.98	0.66	3.07	1.92	1.49	4.80	2.44	50.10	600	1.22
1-1/4"	1.26	0.68	3.42	2.32	1.88	6.02	3.00	103.70	600	2.14
1-1/2"	1.57	0.68	3.89	2.87	2.12	6.02	3.23	268.40	600	3.20
2"	1.95	0.69	4.33	3.38	2.63	6.38	3.74	309.20	600	4.08
2-1/2"	2.40	0.93	5.59	4.37	3.54	8.07	4.84	629.00	600	8.28
3"	2.87	1.01	6.45	5.35	4.13	8.07	5.23	1018.00	600	13.00
4"	3.82	1.09	7.60	6.35	5.12	10.24	6.49	1622.00	600	22.07

## Dimensions 1715 Series



Size	ØP	L	I	h	R	ØD	ØH	CH	Cv	Psi	Lbs
1/2"	0.59	2.58	0.50	1.81	3.86	0.63	1.30	0.98	18.90	600	0.50
3/4"	0.79	3.00	0.75	2.28	4.80	0.88	1.53	1.22	34.22	600	0.77
1"	0.98	3.56	0.91	2.44	4.80	1.13	1.93	1.50	49.88	600	1.19
1-1/4"	1.26	4.09	0.96	3.00	6.02	1.38	2.32	1.90	103.00	600	2.20
1-1/2"	1.57	4.56	1.10	3.23	6.02	1.63	2.87	2.12	266.10	600	3.24
2"	1.95	5.45	1.34	3.74	6.38	2.13	3.38	2.64	307.00	600	4.21
2-1/2"	2.40	6.90	1.47	4.84	8.07	2.63	4.37	3.54	624.00	600	9.44
3"	2.87	8.05	1.67	5.23	8.07	3.13	5.35	4.13	1009.00	600	14.52
4"	3.82	10.25	2.16	6.49	10.24	4.13	6.53	5.12	1067.00	600	24.83

## Bill of Materials



No.	Part Name	Material	Pcs.
1	Body	Brass CW 617N 12165	1
2	End Connection	Brass CW 617N 12165	1
3	Ball	Brass CW 617N 12165	1
4	Ball Seat	P.T.F.E.	2
5	Thrust Washer/Stem Seat	P.T.F.E.	2
6	O-Ring	NBR	1
7	Packing Gland	Brass CW 614N 12164	1
8	Nut	Steel 6S	2
9	Stem	Brass CW 614N 12164	1
10	Handle	Fe DD11 10111	1

## Pressure - Temperature Chart for 171N/1715 Series

