

77W SERIES

Bronze APOLLOXPRESS® Ball Valve

Press x Press, Maximum operating pressure, 250 psi.
 Temperature range, 0°F-250°F,
 MSS SP-110 compliant.
 Directive 2002/95/CE (RoHS) compliant.



FEATURES

- Full-port
- Adjustable stem packing
- Fast, easy, economical installation
- Leak Before Press® feature
- Blow-out proof stem
- Corrosion resistant materials
- 100% factory tested

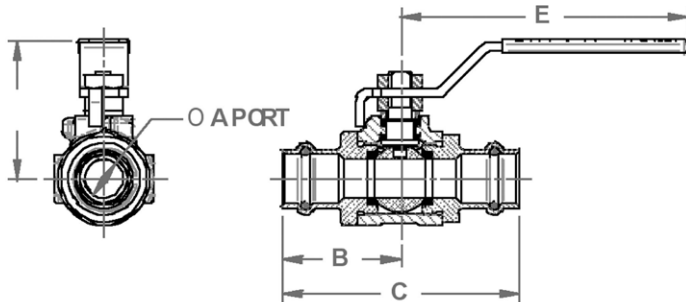
- Silicon free
- Ridgid® Press tool compatible

VARIATIONS AVAILABLE:

77W-140 Series (316 SS Ball & Stem)

OPTIONS AVAILABLE: (More information in Section J)

(SUFFIX)	OPTION	SIZES
-01	Standard Configuration	All
-04-	2.25" Stem Extension	1/2" to 2"
-07-	Tee Handle	1/2" to 2"
-10-	S.S. Handle and Nut	1/2" to 2"
-11-	Therma-Seal™ Insulating Tee Handle	3/8" to 2.5"
-18-	Plain Grip	1/2" to 2"
-50-	2.25" Locking Extension	1/2" to 2"
-92-	Balancing Stop	1/2" to 2"
-94-	2.25" Stem Ext. & Balancing Stop	1/2" to 2"
-HC-	Hose Cap & Chain	1/2" to 1"



STANDARD MATERIAL LIST

PART	MATERIAL
1 Body	B584-C84400
2 Seat	Multifill PTFE
3 Ball	ASTM B16
4 Stem packing	Multifill PTFE
5 Nut	Zinc plated steel
6 Stem	ASTM B16
7 Retainer	ASTM B16
8 Handle	Plated steel/insulated polyvinyl
9 Gland	Brass, ASTM B16, UNS# C36000
10 O-ring	EPDM

PRODUCT NUMBER	SIZE	A	B	C	D	E	WT.
77W-103-01	1/2"	0.50	1.54	3.08	1.50	3.74	0.61
77W-104-01	3/4"	0.75	1.78	3.55	2.01	4.78	1.09
77W-105-01	1"	1.00	1.93	3.86	2.20	4.78	1.77
77W-106-01	1.25"	1.25	2.44	4.87	3.13	7.04	4.27
77W-107-01	1.5"	1.50	2.91	5.81	3.10	7.04	4.63
77W-108-01	2"	2.00	3.74	7.47	3.48	7.04	8.21

FOR PRESSURE/TEMPERATURE RATINGS, REFER TO PAGE M-10, GRAPH NO. 4

