



# APOLLOXPRESS™

## 77WLF-HC SERIES

### BALL VALVE W/ PRESS X HOSE CONNECTION

Job Name:	Contractor:
Job Location:	P.O. Number:
Engineer:	Representative:
Tag:	Wholesale Distributor:

#### DESCRIPTION

The ApolloXpress™ **Lead Free\*** Press x Hose Cap & Chain ball valves are designed for direct mechanical connection to ASTM B88-Type K, L, and M copper tubing in the hard drawn condition. Valves feature a 3/4" hose connection with heavy brass cap to protect the threads. The 77WLF-HC is ideal for most plumbing and heating systems, including potable water. Now with Leak Before Press™ feature and 250 psig maximum working pressure.

#### FEATURES

- Full-Port
- Adjustable Stem Packing
- Fast, Reliable, Economical Press Installation
- Leak Before Press™ Technology
- **Lead Free\*** Brass & Bronze Materials
- Heavy brass cap is full pressure rated
- Easily Identifiable Blue "Lead Free" Hang Tag
- Ridgid® "XL" Press Tool Compatible
- **Made in U.S.A., ARRA Compliant**

#### PERFORMANCE RATING

- Maximum Operating Pressure 250 psi
- Temperature Range 0°F - 200°F

#### MATERIAL SPECIFICATIONS

Part Name	Material
Body	C89836 <b>Lead Free*</b> Bronze
Seat	Multi-Fill PTFE
Ball	C27451 <b>Lead Free*</b> Brass Cr. Plated
Stem Packing	Multi-Fill PTFE
Nut	Corrosion Resistant Plated Steel
Stem	C27451 <b>Lead Free*</b> Brass
Retainer	C27451 <b>Lead Free*</b> Brass
Cap	C27451 <b>Lead Free*</b> Brass
Handle	Plated Steel / Insulated Polyvinyl
Gland	Brass, ASTM B16, UNS# C36000
O-Ring	EPDM

#### APPROVED APPLICATIONS

- Water, including Potable Water
- Hydronic Heating (50% glycol max)
- Not compatible with soft annealed copper tubing

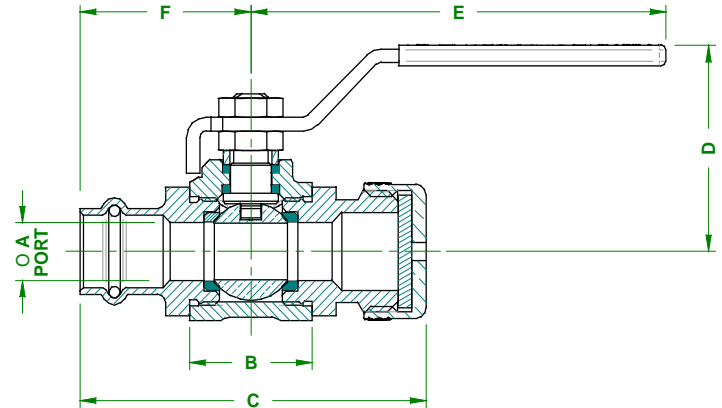
#### APPROVALS

- MSS SP-110 Ball Valves
- NSF/ANSI 61-8
- NSF 372 **Lead Free\***, ANSI 3<sup>RD</sup> Party Certified



#### DIMENSIONS (in)

PART #	SIZE	A	B	C	D	E	F	WT (LB)
77WLF103HC	1/2"	0.50	1.54	3.12	1.80	3.74	1.54	0.61
77WLF104HC	3/4"	0.75	1.72	3.45	2.01	4.78	1.78	1.16



#### OPTIONS

- (-04) 2 1/4" Stem Extension
- (-07) Tee-Handle
- (-10) Stainless Steel Handle and Nut
- (-11) Therma-Seal™ Insulating Tee Handle
- (-92) Balancing Stop
- (-94) 2 1/4" Stem Extension and Balancing Stop
- (77WLF-14x-HC Series) S.S. Ball and Stem

\* **LEAD FREE:** The wetted surfaces of this product shall contain no more than 0.25% lead by weighted average. Complies with CA AB1953, VT Act 193, MD HB372, LA HB471 and Federal Public Law 111-380. ANSI 3<sup>rd</sup> party approved and listed.

Conbraco Industries, Inc. 701 Matthews Mint Hill Rd. Matthews NC 28106 USA; [www.apollovalves.com](http://www.apollovalves.com); 704-841-6000

This specification is provided for reference only. Conbraco reserves the right to change any portion of this specification without notice and without incurring obligation to make such changes to Conbraco products previously or subsequently sold.