



Serie **MINI BALL VALVE**

Articolo **383N**

Nickel plated brass ball valve - Mini series, standard port from 1/8" to 3/4".

Pressure rating 450 PSI.

- Temperature to 330°F.

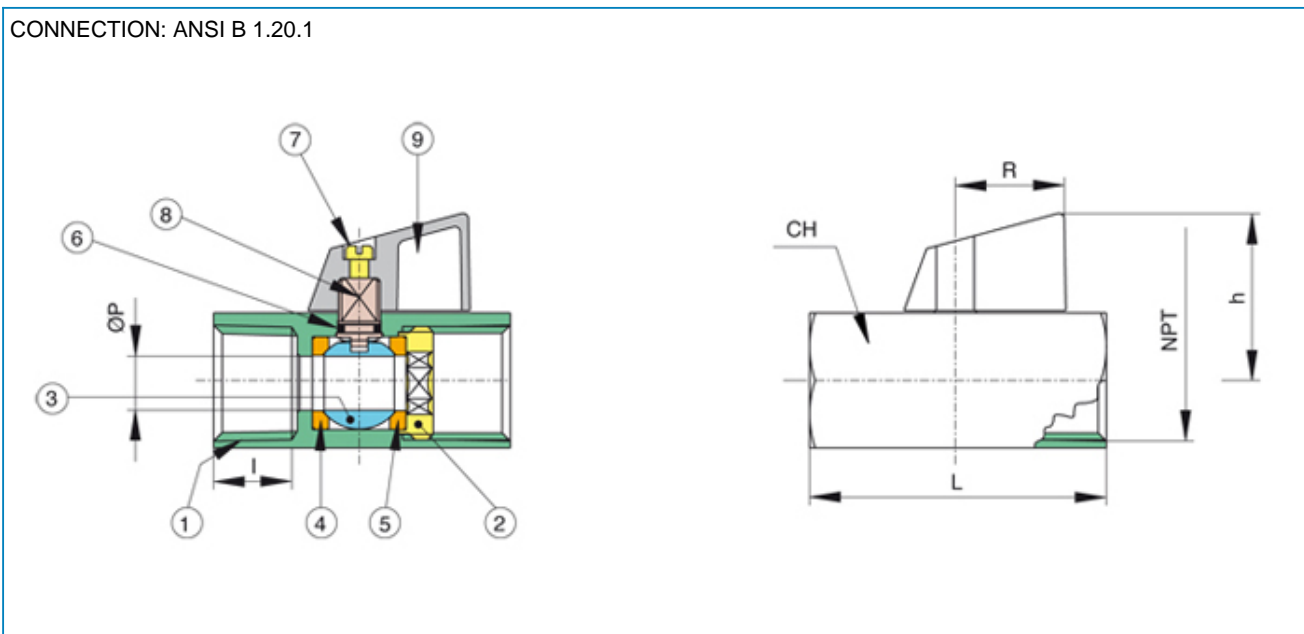
- Blow out proof stem, chrome plated brass ball.

- P.T.F.E. seats and viton seal.

- 100% electronically tested in the open and closed position at 80 psi.

MEETS THE DESIGN CRITERIA OF
MSS_SP_110

CONNECTION: ANSI B 1.20.1



N Pos	PART NAME	MATERIAL	N PCS
1	BODY	BRASS CW 617N UNI EN 12165	1
2	RATAINING BUSH	BRASS CW 614N UNI EN 12164	1
3	BALL	BRASS CW 614N UNI EN 12164	1
4	BALL SEAT	P.T.F.E	1
5	BALL SEAT	P.T.F.E	1
6	O-RING	VITON	1
7	SCREW	Steel 6/S	1
8	STEM	BRASS CW 614N UNI EN 12164	1
9	HANDLE	GLASS REINFORCED NYLON	1

SIZE	ØP	CH	I	h	L	R	CV	psi	Lbs
1/8"	0.31	0.82	0.27	1.16	1.61	0.80	5.00	450	0.25
1/4"	0.31	0.82	0.39	1.16	1.69	0.80	5.00	450	0.20
3/8"	0.31	0.82	0.40	1.16	1.69	0.80	3.13	450	0.17
1/2"	0.39	0.98	0.53	1.24	2.16	0.80	6.26	450	0.28
3/4"	0.47	1.18	0.59	1.32	2.36	0.80	8.46	450	0.49