

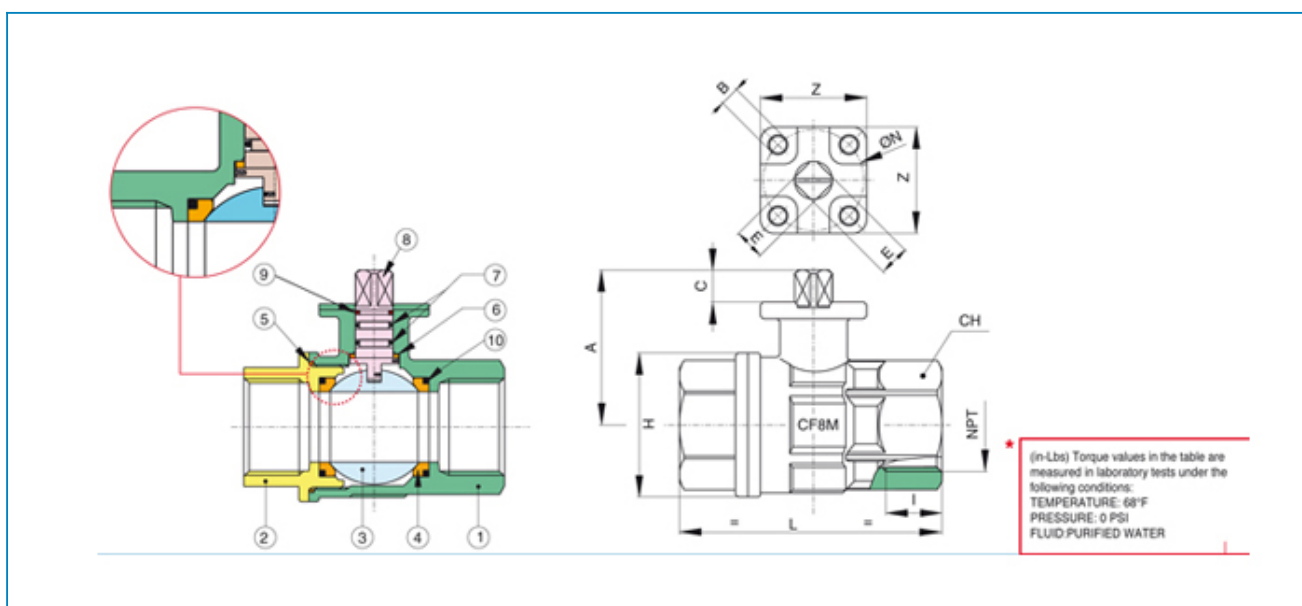


Serie STAINLESS STEEL DIRECT MOUNT BALL VALVE

Articolo **700076**

- 2 pc stainless steel ASTM A351 - CF8M ball valve, with ISO 5211 pad.
- Full port sizes 1/4" to 3".
- Pressure rating 1000 psi - 150 PSI steam.
- Temperature to 366°F.
- Blow out proof stem.
- P.T.F.E. seats with O-RING backing for low operating torque.
- P.T.F.E. seals and double O-RING stem packing.
- 100% electronically tested in the open and closed position at 80 psi.

COMPLIES WITH NACE MR 0175, NACE MR 0103 AND ISO 15156



N POS	PART NAME	MATERIAL	N PCS
1	BODY	CF8M	1
2	END CONNECTION	CF8M	1
3	BALL	AISI316-CF8M	1
4	BALL SEAT	P.T.F.E	2
5	SEAT	P.T.F.E	1
6	STEM SEAL	P.T.F.E	1
7	O-RING	FKM (Viton®)	2
8	STEM	AISI 316	1
9	STEM SEAT	P.T.F.E.	1
10	O-RING	FKM (Viton®)	2

SIZE	I	L	H	CH	A	C	E	ØN	B	Z	CV	psi	Lbs	* in-Lbs
NEW 1/4"	0.59	2.56	1.44	1.02	1.78	0.26	0.35	F03/F04 1.42-1.65	0.24	1.65	7.91	1000	0.95	27
NEW 3/8"	0.59	2.56	1.44	1.02	1.78	0.26	0.35	F03/F04 1.42-1.65	0.24	1.65	10.22	1000	0.89	27
1/2"	0.59	2.63	1.35	1.06	1.63	0.35	0.35	1.42 (ISO F03)	0.23	1.49	18.90	1000	0.68	53.10
3/4"	0.64	3.07	1.65	1.25	1.71	0.35	0.35	1.42 (ISO F03)	0.23	1.49	34.22	1000	0.91	53.10
1"	0.75	3.54	2.02	1.61	2.10	0.35	0.35	1.42 (ISO F03)	0.23	1.49	49.88	1000	1.35	53.10
1 1/4"	0.84	3.93	2.53	1.96	2.24	0.35	0.35	1.42 (ISO F03)	0.23	1.49	103.24	1000	2.22	53.10
1 1/2"	0.84	4.40	3.03	2.16	2.91	0.43	0.43	1.97 (ISO F05)	0.27	1.96	266.80	1000	3.69	150.46
2"	1.01	5.31	3.81	2.75	3.27	0.43	0.43	1.97 (ISO F05)	0.27	1.96	307.40	1000	6.49	150.46
NEW	1.22	6.32	4.64	3.39	4.94	0.66	0.67	F07/F10 2.76-4.02	0.39 0.47	4.02	322.20	800	16.38	484

2" 1/2														
NEW 3"	1.34	7.01	5.48	4.09	5.34	0.71	0.67	F07/F10 2.76-4.02	0.39 0.47	4.02	584.44	800	22.82	772