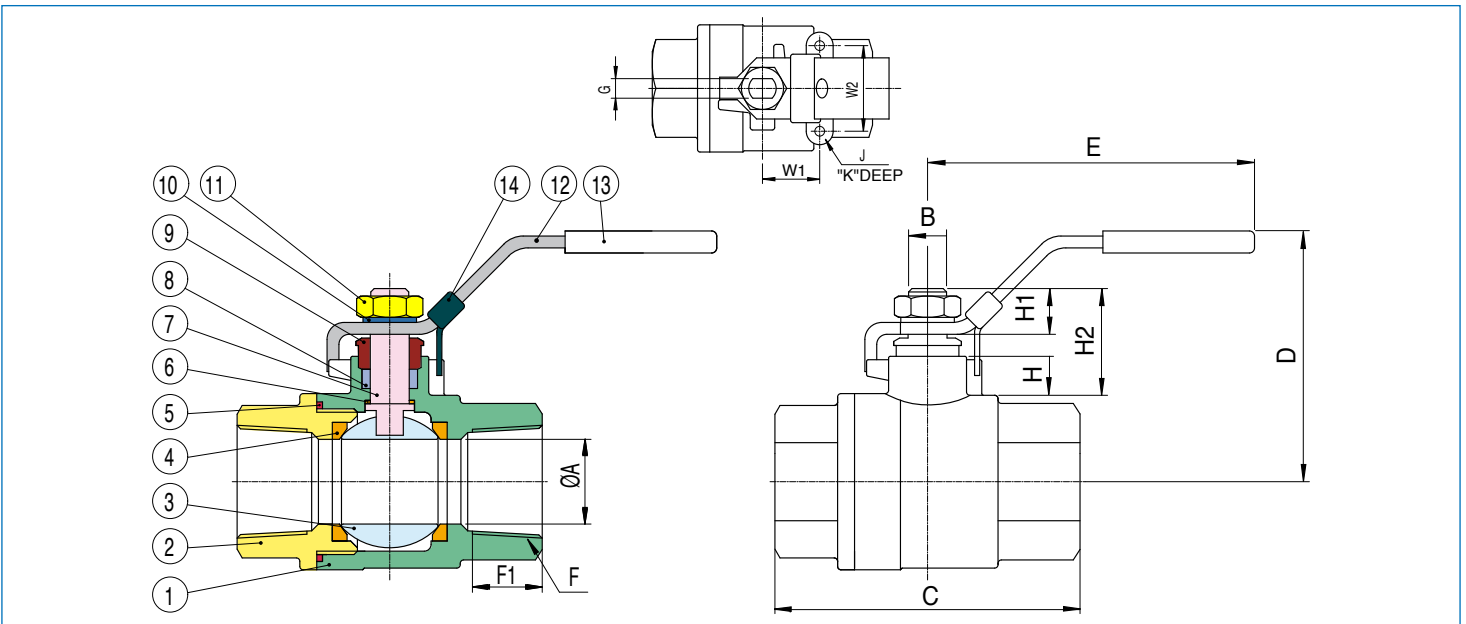


SERIES 700 LL WITH LOCKING HANDLE



- 2 pc stainless steel ball valve.
- Threaded FNPT.
- Full port sizes 1/4" to 2".
- Self adjusting stem packing.
- Blow-out proof stem design.
- 100% air tested under water at 80 psi.
- Working pressure is 2000 psi (1/4" to 1"), 1500 psi (1"1/4 to 2").
- Temperature range -4° F to 450° F.
- 150WSP.

7700LL: SEAL WELD VERSION AVAILABLE.



N Pcs	PART NAME	MATERIAL	N Pcs
1	BODY	CF8M	1
2	END CAP	CF8M	1
3	BALL	SS316	1
4	SEAT	R.T.F.E.	2
5	JOINT GASKET	P.T.F.E.	1
6	THRUST WASHER	P.T.F.E.	1
7	STEM	SS316	1
8	V RING PACKING	P.T.F.E.	1
9	GLAND BUSH	SS304	1
10	STEM WASHER	SS304	1
11	STEM NUT	SS304	1
12	HANDLE	SS304	1
13	HANDLE SLEEVE	VINYL	1
14	LOCKING DEVICE	SS304	1

SIZE	ØA	B	C	D	E	F1	J	K	G	H	H1	H2	W1	W2	CV	Lbs
1/4"	0.45	0.31	2.16	1.96	3.93	0.59	10-24UNC	0.23	0.20	0.31	0.38	0.87	0.50	1.12	8	0.51
3/8"	0.49	0.31	2.16	1.96	3.93	0.59	10-24UNC	0.23	0.20	0.31	0.38	0.87	0.50	1.12	10	0.51
1/2"	0.59	0.37	2.55	2.36	5.11	0.62	10-24UNC	0.19	0.26	0.41	0.43	1.00	0.50	1.12	15	0.83
3/4"	0.78	0.37	2.93	2.51	5.11	0.66	10-24UNC	0.27	0.26	0.41	0.43	1.00	0.88	1.37	34	1.14
1"	0.98	0.43	3.46	2.79	6.49	0.94	10-24UNC	0.27	0.31	0.45	0.53	1.24	0.92	1.37	56	2.02
1"1/4	1.25	0.43	4.01	3.07	6.49	0.86	1/4-20UNC	0.27	0.31	0.45	0.53	1.24	1.00	1.50	85	2.70
1"1/2	1.49	0.55	4.33	3.38	7.48	0.88	1/4-20UNC	0.27	0.38	0.47	0.61	1.38	1.00	1.50	125	4.18
2"	1.96	0.55	4.92	3.74	7.48	1.02	1/4-20UNC	0.27	0.38	0.37	0.61	1.02	1.00	1.50	250	6.86

PRESSURE - TEMPERATURE CHART FOR BALL VALVES

