



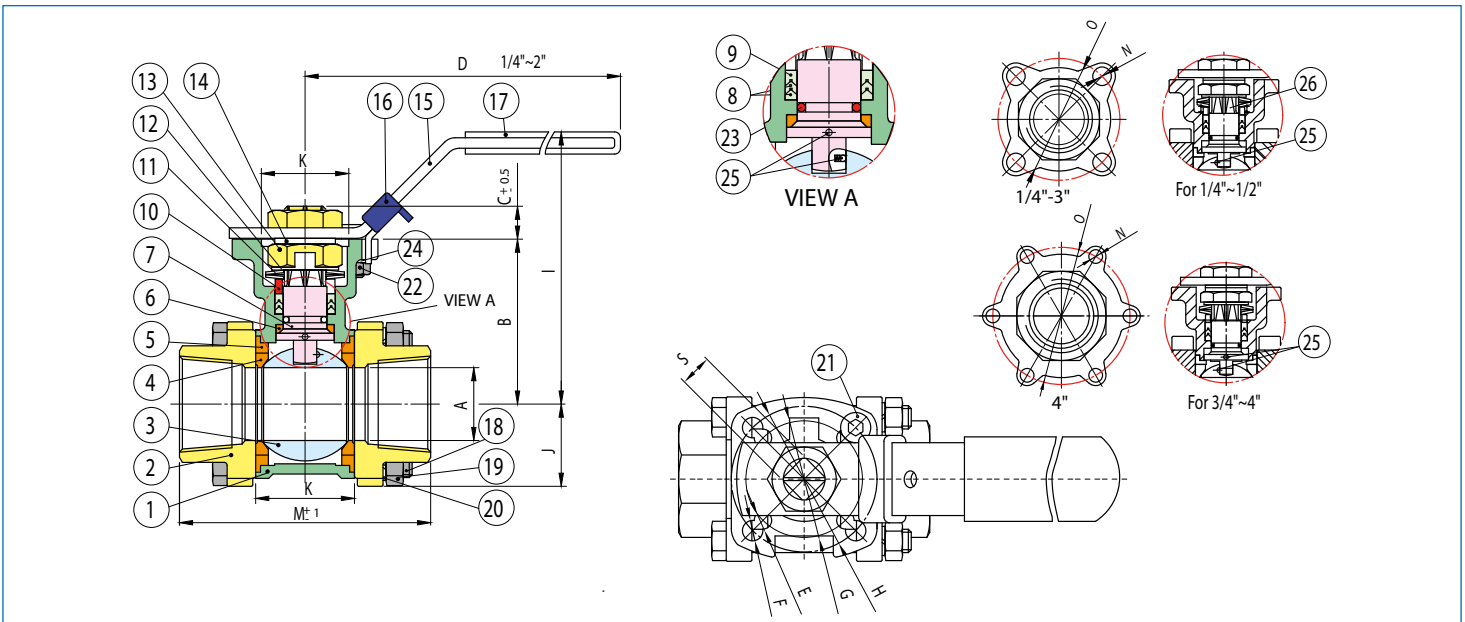
SERIES 620LL WCB-FNPT - 720LL CF8M-FNPT

SERIES 621LL WCB-SW - 721LL CF8M-SW

SERIES 622LL WCB-BW - 722LL CF8M-BW

Direct mount 3-piece valve, with locking lever.

- Full port sizes 1/4" to 4".
- Direct mount ISO 5211/DIN 3337 for automation.
- Pressure rating 1/4" to 2" 1000 psi, 2 1/2" to 4" 800 psi.
- Temperature range -60°F to +440° F.
- Blow out proof stem, multi-layer V-ring adjustable stem packing.
- Multi-direction square drive locking lever.
- Dual mounting hole patterns.
- 150 WSP saturated steam.



N Pos	PART NAME	MATERIAL	N POS
1	BODY	CF8M/WCB	1
2	END CAP	CF8M/WCB	2
3	BALL	SS316	1
4	SEAT	TFM1600	2
5	JOIN GASKET	P.T.F.E	2
6	STEM SEAL	R.T.F.E	1
7	STEM	SS316	1
8	STEM PACKING	P.T.F.E	1
9	STEM PACKING	25% fiberglass +P.T.F.E	*
10	GLAND	SS304	1
11	BELLEVILLE WASHER	SS304	2
12	LOCK SADDLE	SS304	1
13	STEM NUT	SS304	2
14	STEM WASHER	SS304	1
15	HANDLE	SS304	1
16	LOCKING DEVICE	SS304	1
17	HANDLE SLEEVE	VINYL	1
18	BOLT	SS304	*
19	BOLT NUT	SS304	*
20	BLOT WASHER	SS304	*
21	STOP PIN	SS304	1
22	PIN NUT	SS304	1
23	O-RING	VITON	1
24	WASHER	SS304	1
25	ANTI-STATIC DEVICE	SS316	1
26	SPRING	SS316	1

* Varies with size

SIZE	ØA	B	C	D	ØE	ØF	ØG	ØH	I	J	K	L	M	ØN	ØO	S in	S mm	Cv	Lbs	ISO 5211
1/4"	0.46	1.66	0.25	5.47	0.24	0.24	1.42	1.65	3.03	0.92	0.93	0.98	2.51	1.81	0.34	0.35	9	8	55	F03/F04
3/8"	0.50	1.66	0.25	5.47	0.24	0.24	1.42	1.65	3.03	0.92	0.93	0.98	2.51	1.81	0.34	0.35	9	10	55	F03/F04
1/2"	0.59	1.66	0.25	5.47	0.24	0.24	1.42	1.65	3.03	0.92	0.93	0.98	2.59	1.81	0.34	0.35	9	15	55	F03/F04
3/4"	0.79	1.89	0.27	5.47	0.24	0.24	1.42	1.65	3.27	1.00	1.10	0.98	3.00	2.05	0.34	0.35	9	34	69	F03/F04
1"	0.98	2.23	0.44	6.45	0.24	0.28	1.65	1.97	3.78	1.11	1.34	1.18	3.39	2.36	0.34	0.43	11	56	127	F04/F05
1 1/4"	1.26	2.34	0.44	6.45	0.24	0.28	1.65	1.97	3.94	1.36	1.67	1.18	4.05	2.89	0.43	0.43	11	85	173	F04/F05
1 1/2"	1.50	3.05	0.56	8.47	0.30	0.35	1.97	2.76	5.00	1.55	2.10	1.38	4.70	3.37	0.47	0.55	14	125	243	F05/F07
2"	1.97	3.35	0.56	8.47	0.30	0.35	1.97	2.76	5.28	1.86	2.54	1.38	5.17	4.09	0.52	0.55	14	250	346	F05/F07
2 1/2"	2.56	4.28	0.67	11.81	0.39	0.47	2.76	4.02	6.58	2.30	3.43	2.17	6.46	5.12	0.60	0.67	17	320	518	F07/F010
3"	3.15	4.63	0.67	14.57	0.39	0.47	2.76	4.02	6.93	2.72	3.90	2.17	7.19	6.12	0.68	0.67	17	580	806	F07/F010
4"	3.94	5.22	0.67	14.57	0.39	0.47	2.76	4.02	7.56	3.76	5.00	2.17	9.28	7.40	0.68	0.67	17	1020	1094	F07/F010

PRESSURE - TEMPERATURE CHART FOR BALL VALVES

