



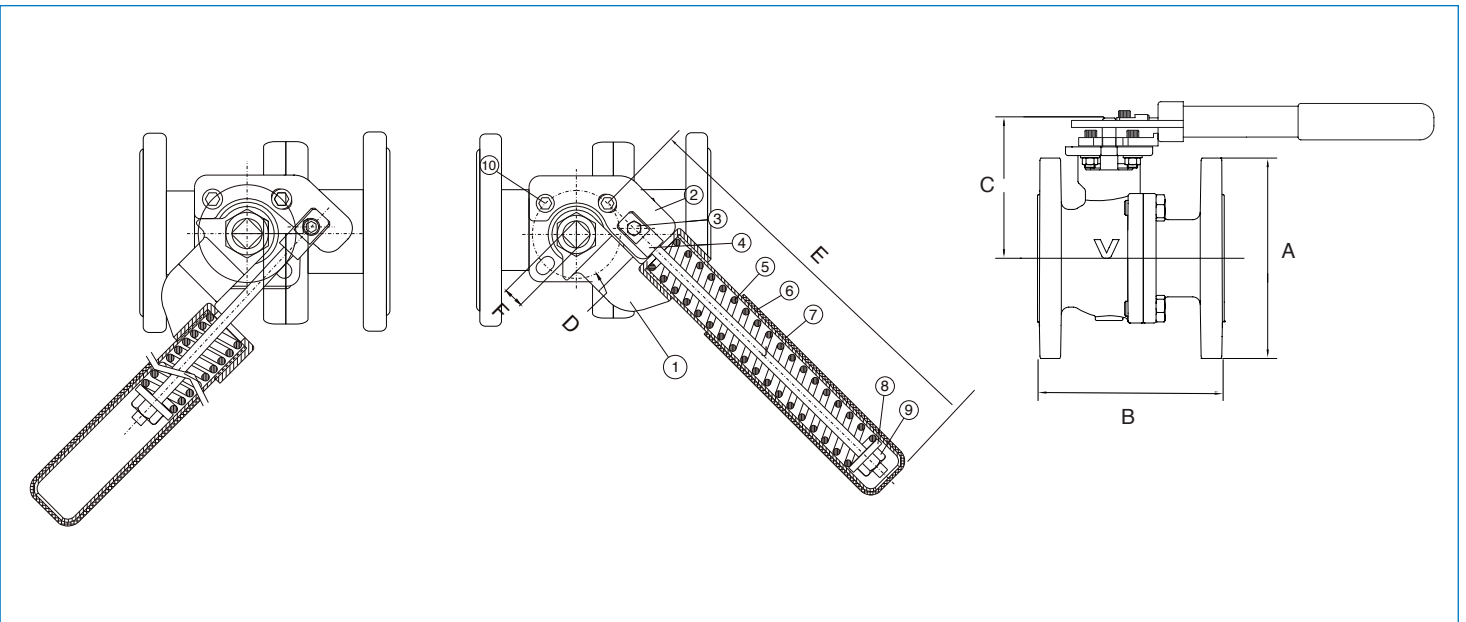
## SERIES 766001 SRL DEADMAN SPRING RETURN

Carbon steel, ANSI class 150 flanged ball valve with locking handle.

- Direct mount ISO 5211/square stem
- Full port, sizes 1" to 3".
- Temperature range -4° F to 366° F.
- Blow out proof stem, adjustable stem packing.
- P.T.F.E. seats, and FKM Viton O-rings.
- Fire Safe certified to API 607 6th edition.
- 100% tested.
- ANSI B16.5, B16.10, B16.34 design.
- Antistatic Device.
- Standard locking handle.

COMPLIES WITH NACE MR 0175/ISO 15156 AND NACE MR 010.3

**NEW**



N POS	HANDLE COMPONENTS	MATERIAL
1	HANDLE HEAD	ASTM A351 - CF8M
2	ANCHOR	ASTM A351 - CF8M
3	ANCHOR SCREW	STAINLESS STEEL 316
4	SPRING ROD	STAINLESS STEEL 316
5	SPRING	STAINLESS STEEL 301
6	HANDLE EXTENSION	STAINLESS STEEL 304
7	SLEEVE	VINYL
8	WASHER	STAINLESS STEEL 304
9	HEX NUT	STAINLESS STEEL 304
10	SOCKET HEAD SCREW	STAINLESS STEEL 304

SIZE	A	B	C	D ISO 5211	E	F (mm)	HANDLE TORQUE (in-Lbs)
1"	4.33	5.00	2.72	F03	8.75	9	132
1 1/2"	5.12	6.50	3.70	F05	11.50	11	195
2"	5.91	7.01	4.06	F05	11.50	11	195
3"	7.48	7.99	5.41	F07	17.72	14	487

Valve materials and size: see Table page 84; Series 766001